



Gost  
Russia



Gost  
Kazakhstan



Further international Ex-  
Approvals on request

## Technical Data

### Explosion protection:

II 2 G / 2 D

EEx e II T6 (increased safety)

EEx ia IIC T6 (intrinsic safety)

EEx e(ia) IIC T6 (mixed fitting)

Temperature classes T5 and T4 on request

### Certificates:

Empty enclosure: PTB 98 ATEX 3101U

Terminal enclosure: PTB 00 ATEX 1063

### Material:

Aluminium diecast DIN EN 1706 EN AC-ALSi 12 (Fe)

### Painting:

Powder coating

### Colour:

RAL 7001, grey

### Ingress protection:

IP 66, EN 60529

### Impact resistance:

>7 Joule, EN 50014

### Temperature range of application acc. EN:

-20° to +40°C

(corresponds T6 = 85°C surface temperature)

-20° to +55°C

(corresponds T5 = 100°C surface temperature)

-20° to +95°C

(corresponds T4 = 135°C surface temperature)

-55°C with special marking on request

- Empty enclosure with certification for individual fittings
- Terminal enclosure for intrinsically safeguards increased safety
- Robust aluminium diecast enclosure

### Included in delivery:

Empty enclosure:  
Enclosure with silicone seal and external earth connection

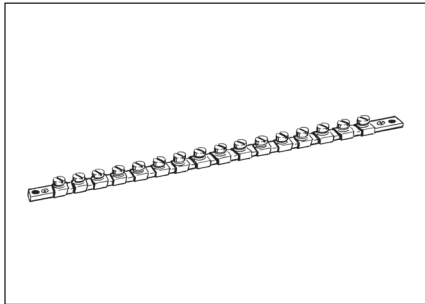
Terminal enclosure:  
Enclosure system - depending on version either with silicone seal, external earthing, DIN rails, internal earthing connection, terminals, manufacturing, cable glands

# Aluminium Ex

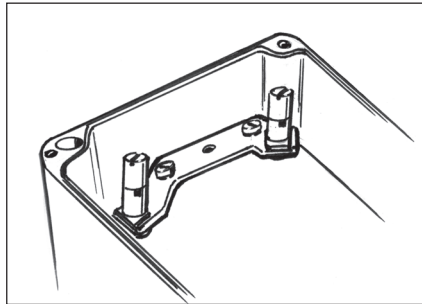
## Programme range

Type			Dimensions
Ex e	Ex ia	Empty enclosure	W x L x H (mm)
05.06 06 03	15.06 06 03	25.06 06 03	64 x 58 x 34
05.06 10 03	15.06 10 03	25.06 10 03	64 x 98 x 34
05.06 15 03	15.06 15 03	25.06 15 03	64 x 150 x 34
05.08 08 06	15.08 08 06	25.08 08 06	80 x 75 x 57
05.08 13 06	15.08 13 06	25.08 13 06	80 x 125 x 57
05.08 18 06	15.08 18 06	25.08 18 06	80 x 175 x 57
05.08 25 05	15.08 25 05	25.08 25 05	80 x 250 x 52
05.10 10 08	15.10 10 08	25.10 10 08	100 x 100 x 80
05.10 16 08	15.10 16 08	25.10 16 08	100 x 160 x 80
05.10 20 08	15.10 20 08	25.10 20 08	100 x 200 x 80
05.12 12 08	15.12 12 08	25.12 12 08	120 x 122 x 80
05.12 12 09	15.12 12 09	25.12 12 09	120 x 122 x 90
05.12 22 08	15.12 22 08	25.12 22 08	120 x 220 x 80
05.12 22 09	15.12 22 09	25.12 22 09	120 x 220 x 90
05.12 36 08	15.12 36 08	25.12 36 08	120 x 360 x 80
05.14 14 09	15.14 14 09	25.14 14 09	140 x 140 x 90
05.14 20 09	15.14 20 09	25.14 20 09	140 x 200 x 90
05.16 16 09	15.16 16 09	25.16 16 09	160 x 160 x 90
05.16 26 09	15.16 26 09	25.16 26 09	160 x 260 x 90
05.16 36 09	15.16 36 09	25.16 36 09	160 x 360 x 90
05.16 56 09	15.16 56 09	25.16 56 09	160 x 560 x 90
05.18 18 10	15.18 18 10	25.18 18 10	180 x 180 x 100
05.18 28 10	15.18 28 10	25.18 28 10	180 x 280 x 100
05.23 10 11	15.23 10 11	25.23 10 11	100 x 230 x 110
05.23 20 11	15.23 20 11	25.23 20 11	230 x 200 x 110
05.23 20 18	15.23 20 18	25.23 20 18	230 x 200 x 180
05.23 28 11	15.23 28 11	25.23 28 11	230 x 280 x 110
05.23 33 11	15.23 33 11	25.23 33 11	230 x 330 x 110
05.23 33 18	15.23 33 18	25.23 33 18	230 x 330 x 180
05.23 40 11	15.23 40 11	25.23 40 11	230 x 400 x 110
05.23 40 23	15.23 40 23	25.23 40 23	230 x 400 x 224
05.23 60 11	15.23 60 11	25.23 60 11	230 x 600 x 110
05.31 40 11	15.31 40 11	25.31 40 11	310 x 400 x 110
05.31 40 14	15.31 40 14	25.31 40 14	310 x 400 x 140
05.31 40 18	15.31 40 18	25.31 40 18	310 x 400 x 180
05.31 40 23	15.31 40 23	25.31 40 23	310 x 400 x 226
05.31 60 11	15.31 60 11	25.31 60 11	310 x 600 x 110
05.31 60 18	15.31 60 18	25.31 60 18	310 x 600 x 180
05.60 60 20	15.60 60 20	25.60 60 20	600 x 600 x 200

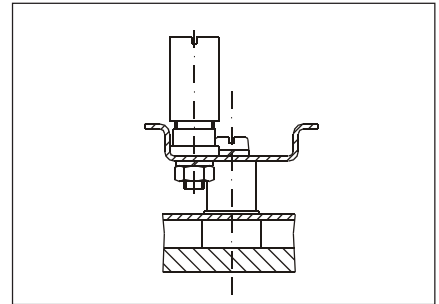
## Accessories / Version



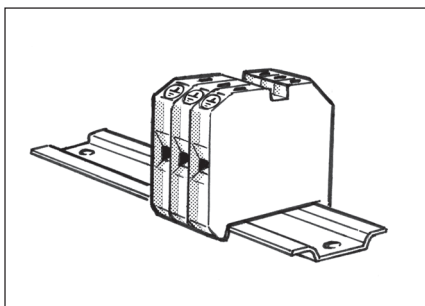
PE bar



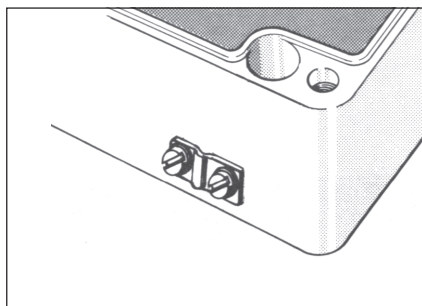
PE busbar



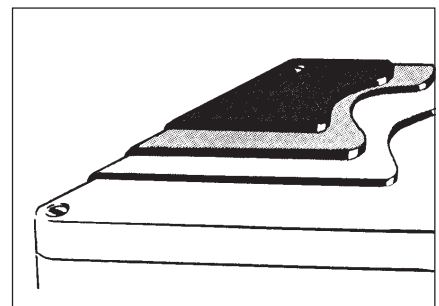
PE connection on DIN rail



PE terminal blocks

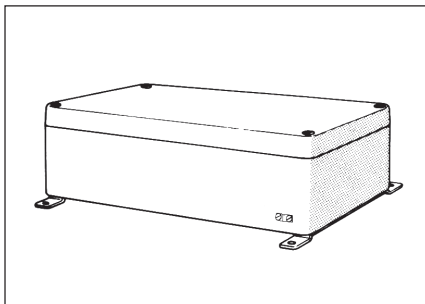


External earth in stainless steel

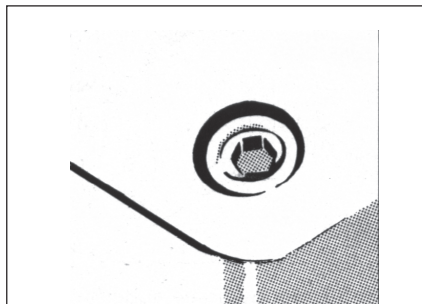


SBG- or SBGL corrosion-proof  
chromated - primed - painted

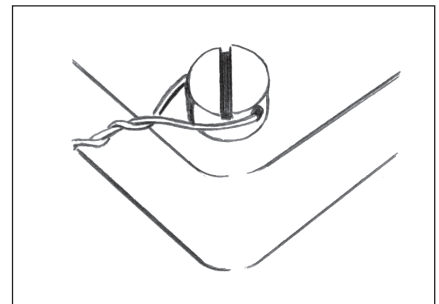
## Accessories



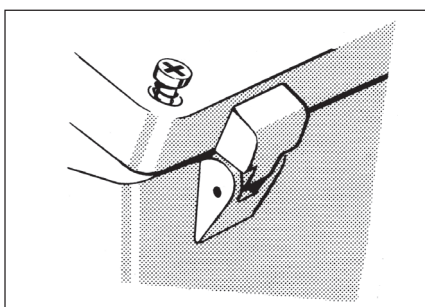
External mounting brackets (4 pieces) in  
stainless steel



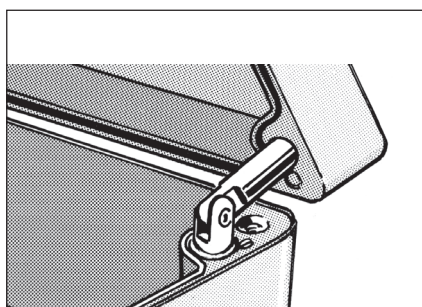
Allen lid screw in stainless steel



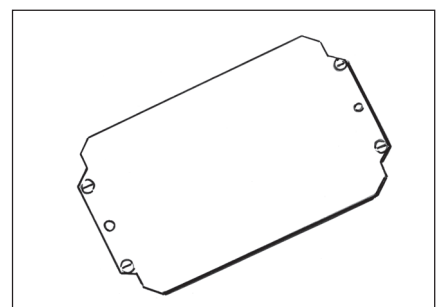
Sealable lid screw, corrosion-proof



External hinge (pair) in aluminium diecast,  
opening to approx 150°.  
Please state mounting side!



Internal hinge (pair) in stainless steel, opening to  
approx 95°  
Please state mounting side!



Mounting plate, galvanized sheet metal

# Aluminium Ex

## Accessories

Type	DIN rail*		PE bar	PE busbar	Allen lid screws	Sealable lid screws	External mounting bracket	External hinges	Internal hinges	Mounting plate	SWB SBG SBGL
	TS 15	TS 35									
05/15/25.06 06 03					•	•					•
05/15/25.06 10 03					•	•					•
05/15/25.06 15 03					•	•					•
05/15/25.08 08 06	•			2	•	•				1,5	•
05/15/25.08 13 06	•			2	•	•				1,5	•
05/15/25.08 18 06	•			2	•	•				1,5	•
05/15/25.08 25 05	•			2	•	•				1,25	•
05/15/25.10 10 08	•	•			•	•				1,5	•
05/15/25.10 16 08	•	•			•	•	•	•		1,5	•
05/15/25.10 20 08	•	•			•	•	•	•		1,5	•
05/15/25.12 12 08		•		2	•	•	•	•		1,5	•
05/15/25.12 12 09		•		2	•	•	•	•		1,5	•
05/15/25.12 22 08		•		2	•	•	•	•		1,5	•
05/15/25.12 22 09		•		2	•	•	•	•		1,5	•
05/15/25.12 36 08		•		2	•	•	•	•		1,5	•
05/15/25.14 14 09		•	1		•	•	•	•		1,5	•
05/15/25.14 20 09		•	1		•	•	•	•		1,5	•
05/15/25.16 16 09		•	1		•	•	•	•	•	1,5	•
05/15/25.16 26 09		•	1		•	•	•	•	•	1,5	•
05/15/25.16 36 09		•	1		•	•	•	•	•	1,5	•
05/15/25.16 56 09		•	1		•	•	•	•	•	2,0	•
05/15/25.18 18 10		•	1		•	•	•	•	•	1,5	•
05/15/25.18 28 10		•	1		•	•	•	•	•	1,5	•
05/15/25.23 10 11		•		2	•	•	•	•	•	1,5	•
05/15/25.23 20 11		•	1		•	•	•	•	•	1,5	•
05/15/25.23 20 18		•	1		•	•	•	•	•	1,5	•
05/15/25.23 28 11		•	1		•	•	•	•	•	1,5	•
05/15/25.23 33 11		•	1		•	•	•	•	•	1,5	•
05/15/25.23 33 18		•	1		•	•	•	•	•	2,0	•
05/15/25.23 40 11		•	1		•	•	•	•	•	2,0	•
05/15/25.23 40 23		•	1		•	•	•	•	•	2,0	•
05/15/25.23 60 11		•	1		•	•	•	•	•	2,0	•
05/15/25.31 40 11		•	2		•	•	•	•	•	2,0	•
05/15/25.31 40 14		•	2		•	•	•	•	•	2,0	•
05/15/25.31 40 18		•	2		•	•	•	•	•	2,0	•
05/15/25.31 40 23		•	2		•	•	•	•	•	2,0	•
05/15/25.31 60 11		•	2		•	•	•	•	•	2,0	•
05/15/25.31 60 18		•	2		•	•	•	•	•	2,0	•
05/15/25.60 60 20		•	3							2,5	•

\* TS 32 on request

External mounting brackets (4 pieces) for xx.10 16 08 to xx.10 20 08

**10.03 11 01**

External hinges (pair) for xx.12 12 08 to xx.31 60 18

**10.03 11 02**

External hinges (pair) from xx.10 10 08

**10.02 70 01**

Internal hinges (pair) from xx.16 16 09

**10.02 20 01**





Type: **E Ex e 05.06 06 03**

**E Ex ia 15.06 06 03**

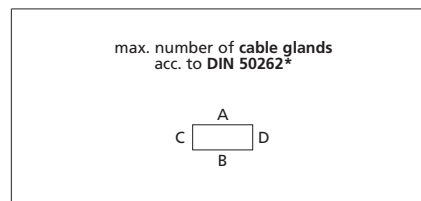
Ex empty enclosure **25.06 06 03**

Certification **ATEX**

External dimensions **64 x 58 x 34 mm**

Weight **160 g**

DIN rail length in mm	max. fitting length in mm	PE bar max. number	PE busbar max. number	External earth in mm <sup>2</sup>	Allen lid screws	Sealable lid screws	External mounting brackets	External hinge (pair)	Internal hinge (pair)	Mounting plate
				2,5 mm <sup>2</sup>	•	•				



Diameter of connection (mm <sup>2</sup> )	1,5	2,5	4	6	10	16	25	35	50	70	95
max. number of terminals**	3	3									
max. number of DIN rails											
Number of internal cables in dependence to current/A	6										
	10	18									
	16	6	12								
	20	2	7								
	25		3								
	35										
	50										
	63										
	80										
	100										
	125										
	160										
	200										
	225										
	250										
	315										
400											
500											

M	Cross-corner dim.	Side		PG	Cross-corner dim.	Side	
		A/B	C/D			A/B	C/D
12	17,25	2	1	7	17,25	2	1
16	25,30			9	21,85	1	1
20	27,60			11	25,30		
25	37,95			13,5	27,60		
32	48,30			16	31,05		
40	60,95			21	37,95		
50	69,00			29	48,30		
63	74,75			36	60,95		
				42	69,00		
				48	74,75		

Number or internal cables/2 = number of terminals  
 \* not for armoured cables  
 \*\* Mini-terminal-block

Type: **E Ex e 05.06 10 03**

**E Ex ia 15.06 10 03**

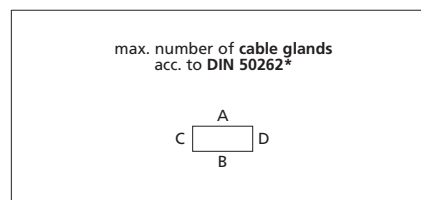
Ex empty enclosure **25.06 10 03**

Certification **ATEX**

External dimensions **64 x 98 x 34 mm**

Weight **220 g**

DIN rail length in mm	max. fitting length in mm	PE bar max. number	PE busbar max. number	External earth in mm <sup>2</sup>	Allen lid screws	Sealable lid screws	External mounting brackets	External hinge (pair)	Internal hinge (pair)	Mounting plate
				2,5 mm <sup>2</sup>	•	•				



Diameter of connection (mm <sup>2</sup> )	1,5	2,5	4	6	10	16	25	35	50	70	95
max. number of terminals**	3	3									
max. number of DIN rails											
Number of internal cables in dependence to current/A	6										
	10	20									
	16	7	13								
	20	2	7								
	25		3								
	35										
	50										
	63										
	80										
	100										
	125										
	160										
	200										
	225										
	250										
	315										
400											
500											

M	Cross-corner dim.	Side		PG	Cross-corner dim.	Side	
		A/B	C/D			A/B	C/D
12	17,25	4	1	7	17,25	4	1
16	25,30			9	21,85	3	1
20	27,60			11	25,30		
25	37,95			13,5	27,60		
32	48,30			16	31,05		
40	60,95			21	37,95		
50	69,00			29	48,30		
63	74,75			36	60,95		
				42	69,00		
				48	74,75		

Number or internal cables/2 = number of terminals  
 \* not for armoured cables  
 \*\* Mini-terminal-block

Type: **E Ex e 05.06 15 03**

**E Ex ia 15.06 15 03**

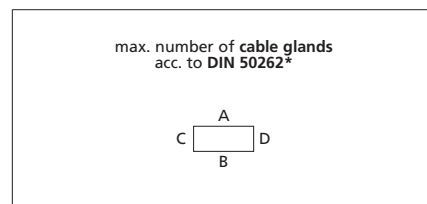
Ex empty enclosure **25.06 15 03**

Certification **ATEX**

External dimenions **64 x 150 x 34 mm**

Weight **360 g**

DIN rail length in mm	max. fitting length in mm	PE bar max. number	PE busbar max. number	External earth in mm <sup>2</sup>	Allen lid screws	Sealable lid screws	External mounting brackets	External hinge (pair)	Internal hinge (pair)	Mounting plate
				2,5 mm <sup>2</sup>	•	•				



Diameter of connection (mm <sup>2</sup> )	1,5	2,5	4	6	10	16	25	35	50	70	95
	max. number of terminals**	10	10								
max. number of DIN rails											
Number of internal cables in dependence to current/A	6										
	10	20									
	16	7	13								
	20	3	8								
	25		3								
	35										
	50										
	63										
	80										
	100										
	125										
	160										
	200										
	225										
	250										
	315										
400											
500											

M	Cross-corner dim.	Side		PG	Cross-corner dim.	Side	
		A/B	C/D			A/B	C/D
12	17,25	8	1	7	17,25	8	1
16	25,30			9	21,85	6	1
20	27,60			11	25,30		
25	37,95			13,5	27,60		
32	48,30			16	31,05		
40	60,95			21	37,95		
50	69,00			29	48,30		
63	74,75			36	60,95		
				42	69,00		
				48	74,75		

Number or internal cables/2 = number of terminals  
 \* not for armoured cables  
 \*\* Mini-terminal-block

Type: **E Ex e 05.08 08 06**

**E Ex ia 15.08 08 06**

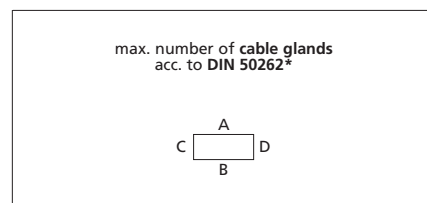
Ex empty enclosure **25.08 08 06**

Certification **ATEX**

External dimenions **80 x 75 x 57 mm**

Weight **300 g**

DIN rail length in mm	max. fitting length in mm	PE bar max. number	PE busbar max. number	External earth in mm <sup>2</sup>	Allen lid screws	Sealable lid screws	External mounting brackets	External hinge (pair)	Internal hinge (pair)	Mounting plate
TS 15			2 x 4 mm <sup>2</sup>							
63	35,5		2	4 mm <sup>2</sup>	•	•				•



Diameter of connection (mm <sup>2</sup> )	1,5	2,5	4	6	10	16	25	35	50	70	95
	max. number of terminals**	5	5								
max. number of DIN rails	1	1									
Number of internal cables in dependence to current/A	6										
	10	27									
	16	9	18								
	20	3	10								
	25		5								
	35										
	50										
	63										
	80										
	100										
	125										
	160										
	200										
	225										
	250										
	315										
400											
500											

M	Cross-corner dim.	Side		PG	Cross-corner dim.	Side	
		A/B	C/D			A/B	C/D
12	17,25	3	5	7	17,25	2	5
16	25,30	1	2	9	21,85	1	2
20	27,60	1	2	11	25,30	1	2
25	37,95	1	1	13,5	27,60	1	2
32	48,30			16	31,05	1	1
40	60,95			21	37,95		
50	69,00			29	48,30		
63	74,75			36	60,95		
				42	69,00		
				48	74,75		

Number or internal cables/2 = number of terminals  
 \* not for armoured cables  
 \*\* Base: Terminal block Phoenix Contact, further see page 11 + 12



Type: **E Ex e 05.08 13 06**

**E Ex ia 15.08 13 06**

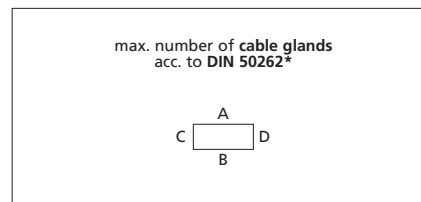
Ex-Leergehäuse **25.08 13 06**

Certification **ATEX**

External dimensions **80 x 125 x 57 mm**

Weight **375 g**

DIN rail length in mm	max. fitting length in mm	PE bar max. number	PE busbar max. number	External earth in mm <sup>2</sup>	Allen lid screws	Sealable lid screws	External mounting brackets	External hinge (pair)	Internal hinge (pair)	Mounting plate
TS 15			2 x 4 mm <sup>2</sup>							
113	85,5		2	4 mm <sup>2</sup>	•	•				•



Diameter of connection (mm <sup>2</sup> )	1,5	2,5	4	6	10	16	25	35	50	70	95
max. number of terminals**	13	13	13								
max. number of DIN rails	1	1	1								
Number of internal cables in dependence to current/A	6										
	10	29									
	16	10	19	76							
	20	4	11	22							
	25		5	12							
	35			3							
	50										
	63										
	80										
	100										
	125										
	160										
	200										
	225										
	250										
315											
400											
500											

M	Cross-corner dim.	Side		PG	Cross-corner dim.	Side	
		A/B	C/D			A/B	C/D
12	17,25	9	5	7	17,25	8	5
16	25,30	4	2	9	21,85	6	2
20	27,60	3	2	11	25,30	3	2
25	37,95	2	1	13,5	27,60	3	2
32	48,30			16	31,05	2	1
40	60,95			21	37,95	2	
50	69,00			29	48,30		
63	74,75			36	60,95		
				42	69,00		
				48	74,75		

Number or internal cables/2 = number of terminals  
 \* not for armoured cables  
 \*\* Base: Terminal block Phoenix Contact, further see page 11 + 12

Type: **E Ex e 05.08 18 06**

**E Ex ia 15.08 18 06**

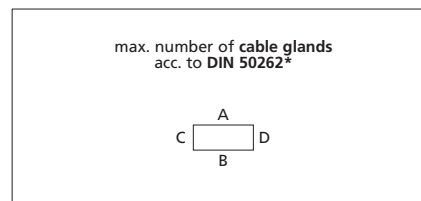
Ex empty enclosure **25.08 18 06**

Certification **ATEX**

External dimensions **80 x 175 x 57 mm**

Weight **550 g**

DIN rail length in mm	max. fitting length in mm	PE bar max. number	PE busbar max. number	External earth in mm <sup>2</sup>	Allen lid screws	Sealable lid screws	External mounting brackets	External hinge (pair)	Internal hinge (pair)	Mounting plate
TS 15			2 x 4 mm <sup>2</sup>							
163	135,5		2	4 mm <sup>2</sup>	•	•				•



Diameter of connection (mm <sup>2</sup> )	1,5	2,5	4	6	10	16	25	35	50	70	95
max. number of terminals**	23	23	23								
max. number of DIN rails	1	1	1								
Number of internal cables in dependence to current/A	6										
	10	29									
	16	10	19	77							
	20	4	11	22							
	25		5	12							
	35			3							
	50										
	63										
	80										
	100										
	125										
	160										
	200										
	225										
	250										
315											
400											
500											

M	Cross-corner dim.	Side		PG	Cross-corner dim.	Side	
		A/B	C/D			A/B	C/D
12	17,25	14	5	7	17,25	14	5
16	25,30	6	2	9	21,85	9	2
20	27,60	5	2	11	25,30	6	2
25	37,95	3	1	13,5	27,60	5	2
32	48,30			16	31,05	4	1
40	60,95			21	37,95	3	
50	69,00			29	48,30		
63	74,75			36	60,95		
				42	69,00		
				48	74,75		

Number or internal cables/2 = number of terminals  
 \* not for armoured cables  
 \*\* Base: Terminal block Phoenix Contact, further see page 11 + 12

Type: **E Ex e 05.08 25 05**

**E Ex ia 15.08 25 05**

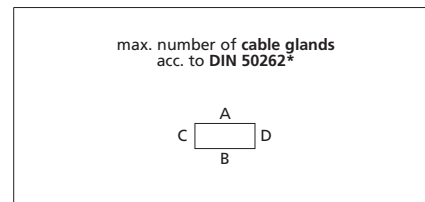
Ex empty enclosure **25.08 25 05**

Certification **ATEX**

External dimensions **80 x 250 x 52 mm**

Weight **730 g**

DIN rail length in mm	max. fitting length in mm	PE bar max. number	PE busbar max. number	External earth in mm <sup>2</sup>	Allen lid screws	Sealable lid screws	External mounting brackets	External hinge (pair)	Internal hinge (pair)	Mounting plate
TS 15			2 x 4 mm <sup>2</sup>							
238	209,5		2	4 mm <sup>2</sup>	•	•				



Diameter of connection (mm <sup>2</sup> )	1,5	2,5	4	6	10	16	25	35	50	70	95
max. number of terminals**	33	33	33								
max. number of DIN rails	1	1	1								
Number of internal cables in dependence to current/A	6										
	10	28									
	16	9	19								
	20	4	11	21							
	25		5	12							
	35			3							
	50										
	63										
	80										
	100										
	125										
	160										
	200										
	225										
	250										
	315										
400											
500											

M	Cross-corner dim.	Side		PG	Cross-corner dim.	Side	
		A/B	C/D			A/B	C/D
12	17,25	23	6	7	17,25	22	6
16	25,30	9	2	9	21,85	15	3
20	27,60	8	2	11	25,30	9	2
25	37,95	5	1	13,5	27,60	8	2
32	48,30			16	31,05	6	1
40	60,95			21	37,95	5	1
50	69,00			29	48,30		
63	74,75			36	60,95		
				42	69,00		
				48	74,75		

Number or internal cables/2 = number of terminals  
 \* not for armoured cables  
 \*\* Base: Terminal block Phoenix Contact, further see page 11 + 12

Type: **E Ex e 05.10 10 08**

**E Ex ia 15.10 10 08**

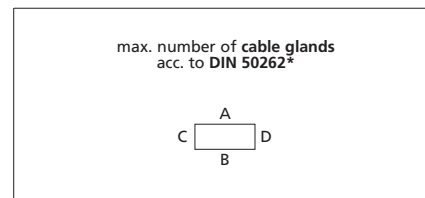
Ex empty enclosure **25.10 10 08**

Certification **ATEX**

External dimensions **100 x 100 x 80 mm**

Weight **620 g**

DIN rail length in mm	max. fitting length in mm	PE bar max. number	PE busbar max. number	External earth in mm <sup>2</sup>	Allen lid screws	Sealable lid screws	External mounting brackets	External hinge (pair)	Internal hinge (pair)	Mounting plate
TS 15/35										
87,5	59,5			4 mm <sup>2</sup>	•	•	•	•		•



Diameter of connection (mm <sup>2</sup> )	1,5	2,5	4	6	10	16	25	35	50	70	95
max. number of terminals**	14	9	9								
max. number of DIN rails	1	1	1								
Number of internal cables in dependence to current/A	6										
	10	37									
	16	12	24	95							
	20	5	14	27							
	25		6	15							
	35			4							
	50										
	63										
	80										
	100										
	125										
	160										
	200										
	225										
	250										
	315										
400											
500											

M	Cross-corner dim.	Side		PG	Cross-corner dim.	Side	
		A/B	C/D			A/B	C/D
12	17,25	12	9	7	17,25	12	9
16	25,30	6	4	9	21,85	8	5
20	27,60	5	3	11	25,30	5	4
25	37,95	2	1	13,5	27,60	5	3
32	48,30	1	1	16	31,05	4	2
40	60,95			21	37,95	2	1
50	69,00			29	48,30	1	1
63	74,75			36	60,95		
				42	69,00		
				48	74,75		

Number or internal cables/2 = number of terminals  
 \* not for armoured cables  
 \*\* Base: Terminal block Phoenix Contact, further see page 11 + 12

Type: **E Ex e 05.10 16 08**

**E Ex ia 15.10 16 08**

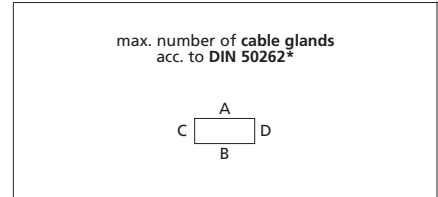
Ex empty enclosure **25.10 16 08**

Certification **ATEX**

External dimensions **100 x 160 x 80 mm**

Weight **820 g**

DIN rail length in mm	max. fitting length in mm	PE bar max. number	PE busbar max. number	External earth in mm <sup>2</sup>	Allen lid screws	Sealable lid screws	External mounting brackets	External hinge (pair)	Internal hinge (pair)	Mounting plate
TS 15/35										
148	120			4 mm <sup>2</sup>	•	•	•	•		•



Diameter of connection (mm <sup>2</sup> )	1,5	2,5	4	6	10	16	25	35	50	70	95
max. number of terminals**	28	19	19								
max. number of DIN rails	1	1	1								
Number of internal cables in dependence to current/A	6										
	10	39									
	16	13	26	101							
	20	5	15	29							
	25		7	16	32						
	35			4	12	31					
	50					10	25				
	63					3	12				
	80						4				
	100										
	125										
	160										
	200										
	225										
	250										
315											
400											
500											

M	Cross-corner dim.	Side		PG	Cross-corner dim.	Side	
		A/B	C/D			A/B	C/D
12	17,25	24	9	7	17,25	22	8
16	25,30	11	4	9	21,85	17	5
20	27,60	10	3	11	25,30	11	4
25	37,95	4	1	13,5	27,60	10	3
32	48,30	3	1	16	31,05	8	2
40	60,95			21	37,95	4	1
50	69,00			29	48,30	3	1
63	74,75			36	60,95		
				42	69,00		
				48	74,75		

Number or internal cables/2 = number of terminals

\* not for armoured cables

\*\* Base: Terminal block Phoenix Contact, further see page 11 + 12

Type: **E Ex e 05.10 20 08**

**E Ex ia 15.10 20 08**

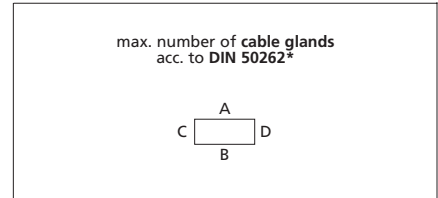
Ex empty enclosure **25.10 20 08**

Certification **ATEX**

External dimensions **100 x 200 x 80 mm**

Weight **970 g**

DIN rail length in mm	max. fitting length in mm	PE bar max. number	PE busbar max. number	External earth in mm <sup>2</sup>	Allen lid screws	Sealable lid screws	External mounting brackets	External hinge (pair)	Internal hinge (pair)	Mounting plate
TS 15/35										
188	160			4 mm <sup>2</sup>	•	•	•	•		•



Diameter of connection (mm <sup>2</sup> )	1,5	2,5	4	6	10	16	25	35	50	70	95
max. number of terminals**	38	25	25								
max. number of DIN rails	1	1	1								
Number of internal cables in dependence to current/A	6										
	10	39									
	16	13	26	102							
	20	5	15	29							
	25		7	16	32						
	35			5	12	31					
	50					10	26				
	63					3	12	43			
	80						4	13			
	100							5			
	125										
	160										
	200										
	225										
	250										
315											
400											
500											

M	Cross-corner dim.	Side		PG	Cross-corner dim.	Side	
		A/B	C/D			A/B	C/D
12	17,25	32	9	7	17,25	30	9
16	25,30	14	4	9	21,85	21	5
20	27,60	12	3	11	25,30	12	4
25	37,95	5	1	13,5	27,60	12	3
32	48,30	3	1	16	31,05	10	2
40	60,95			21	37,95	5	1
50	69,00			29	48,30	3	1
63	74,75			36	60,95		
				42	69,00		
				48	74,75		

Number or internal cables/2 = number of terminals

\* not for armoured cables

\*\* Base: Terminal block Phoenix Contact, further see page 11 + 12

Type: **E Ex e 05.12 12 08**

**E Ex ia 15.12 12 08**

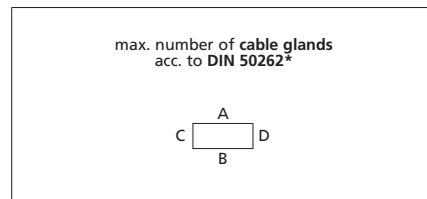
Ex empty enclosure **25.12 12 08**

Certification **ATEX**

External dimensions **120 x 122 x 80 mm**

Weight **940 g**

DIN rail length in mm	max. fitting length in mm	PE bar max. number	PE busbar max. number	External earth in mm <sup>2</sup>	Allen lid screws	Sealable lid screws	External mounting brackets	External hinge (pair)	Internal hinge (pair)	Mounting plate
TS 35			2 x 6 mm <sup>2</sup>							
107	65		2	16 mm <sup>2</sup>	•	•	•	•		•



Diameter of connection (mm <sup>2</sup> )	1,5	2,5	4	6	10	16	25	35	50	70	95
max. number of terminals**	15	12	10	8							
max. number of DIN rails	1	1	1	1							
Number of internal cables in dependence to current/A	6										
	10	40									
	16	13	26	103							
	20	5	15	30							
	25		7	17	32						
	35			5	12						
	50										
	63										
	80										
	100										
	125										
	160										
	200										
	225										
	250										
	315										
400											
500											

M	Cross-corner dim.	Side		PG	Cross-corner dim.	Side	
		A/B	C/D			A/B	C/D
12	17,25	10	11	7	17,25	10	11
16	25,30	5	5	9	21,85	8	6
20	27,60	4	4	11	25,30	5	4
25	37,95	2	2	13,5	27,60	4	3
32	48,30	1	1	16	31,05	3	2
40	60,95			21	37,95	2	2
50	69,00			29	48,30	1	1
63	74,75			36	60,95		
				42	69,00		
				48	74,75		

Number or internal cables/2 = number of terminals

\* not for armoured cables

\*\* Base: Terminal block Phoenix Contact, further see page 11 + 12

Type: **E Ex e 05.12 12 09**

**E Ex ia 15.12 12 09**

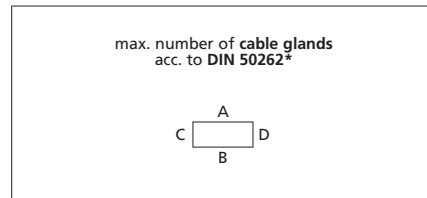
Ex empty enclosure **25.12 12 09**

Certification **ATEX**

External dimensions **120 x 122 x 90 mm**

Weight **960 g**

DIN rail length in mm	max. fitting length in mm	PE bar max. number	PE busbar max. number	External earth in mm <sup>2</sup>	Allen lid screws	Sealable lid screws	External mounting brackets	External hinge (pair)	Internal hinge (pair)	Mounting plate
TS 35			2 x 6 mm <sup>2</sup>							
107	65		2	16 mm <sup>2</sup>	•	•	•	•		•



Diameter of connection (mm <sup>2</sup> )	1,5	2,5	4	6	10	16	25	35	50	70	95
max. number of terminals**	15	12	10	8							
max. number of DIN rails	1	1	1	1							
Number of internal cables in dependence to current/A	6										
	10	43									
	16	14	28	110							
	20	6	16	32							
	25		7	18	35						
	35			5	13						
	50				2						
	63										
	80										
	100										
	125										
	160										
	200										
	225										
	250										
	315										
400											
500											

M	Cross-corner dim.	Side		PG	Cross-corner dim.	Side	
		A/B	C/D			A/B	C/D
12	17,25	10	11	7	17,25	10	11
16	25,30	5	5	9	21,85	8	6
20	27,60	4	4	11	25,30	5	4
25	37,95	2	2	13,5	27,60	4	3
32	48,30	1	1	16	31,05	3	2
40	60,95			21	37,95	2	2
50	69,00			29	48,30	1	1
63	74,75			36	60,95		
				42	69,00		
				48	74,75		

Number or internal cables/2 = number of terminals

\* not for armoured cables

\*\* Base: Terminal block Phoenix Contact, further see page 11 + 12

Type: **E Ex e 05.12 22 08**

**E Ex ia 15.12 22 08**

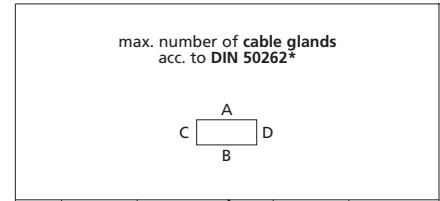
Ex empty enclosure **25.12 22 08**

Certification **ATEX**

External dimensions **120 x 220 x 80 mm**

Weight **1410 g**

DIN rail length in mm	max. fitting length in mm	PE bar max. number	PE busbar max. number	External earth in mm <sup>2</sup>	Allen lid screws	Sealable lid screws	External mounting brackets	External hinge (pair)	Internal hinge (pair)	Mounting plate
TS 35			2 x 6 mm <sup>2</sup>							
205	164,5		2	16 mm <sup>2</sup>	•	•	•	•		•



Diameter of connection (mm <sup>2</sup> )	1,5	2,5	4	6	10	16	25	35	50	70	95
max. number of terminals**	38	32	26	19	16	13					
max. number of DIN rails	1	1	1	1	1	1					
Number of internal cables in dependence to current/A	6										
	10	43									
	16	14	28	111							
	20	6	16	32							
	25		8	18	35						
	35			5	13	34					
	50				2	11	28				
	63					3	13	46			
	80						5	14	52		
	100							6	13		
	125								5		
	160										
	200										
	225										
	250										
	315										
400											
500											

M	Cross-corner dim.	Side		PG	Cross-corner dim.	Side	
		A/B	C/D			A/B	C/D
12	17,25	30	11	7	17,25	30	11
16	25,30	12	6	9	21,85	20	6
20	27,60	12	4	11	25,30	12	4
25	37,95	5	2	13,5	27,60	12	4
32	48,30	3	1	16	31,05	10	2
40	60,95			21	37,95	5	2
50	69,00			29	48,30	3	1
63	74,75			36	60,95		
				42	69,00		
				48	74,75		

Number or internal cables/2 = number of terminals  
 \* not for armoured cables  
 \*\* Base: Terminal block Phoenix Contact, further see page 11 + 12

Type: **E Ex e 05.12 22 09**

**E Ex ia 15.12 22 09**

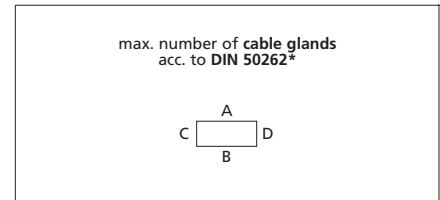
Ex empty enclosure **25.12 22 09**

Certification **ATEX**

External dimensions **120 x 220 x 90 mm**

Weight **1430 g**

DIN rail length in mm	max. fitting length in mm	PE bar max. number	PE busbar max. number	External earth in mm <sup>2</sup>	Allen lid screws	Sealable lid screws	External mounting brackets	External hinge (pair)	Internal hinge (pair)	Mounting plate
TS 35			2 x 6 mm <sup>2</sup>							
205	164,5		2	16 mm <sup>2</sup>	•	•	•	•		•



Diameter of connection (mm <sup>2</sup> )	1,5	2,5	4	6	10	16	25	35	50	70	95
max. number of terminals**	32	32	26	19	16	13					
max. number of DIN rails	1	1	1	1	1	1					
Number of internal cables in dependence to current/A	6										
	10	45									
	16	15	30	118							
	20	6	17	34							
	25		8	19	37						
	35			5	14	36					
	50				2	11	30				
	63					4	14	49			
	80						5	15	55		
	100							6	14		
	125								5		
	160										
	200										
	225										
	250										
	315										
400											
500											

M	Cross-corner dim.	Side		PG	Cross-corner dim.	Side	
		A/B	C/D			A/B	C/D
12	17,25	34	11	7	17,25	34	11
16	25,30	15	6	9	21,85	24	6
20	27,60	14	4	11	25,30	15	4
25	37,95	6	2	13,5	27,60	14	4
32	48,30	4	1	16	31,05	11	2
40	60,95			21	37,95	6	2
50	69,00			29	48,30	4	1
63	74,75			36	60,95		
				42	69,00		
				48	74,75		

Number or internal cables/2 = number of terminals  
 \* not for armoured cables  
 \*\* Base: Terminal block Phoenix Contact, further see page 11 + 12

Type: **E Ex e 05.12 36 08**

**E Ex ia 15.12 36 08**

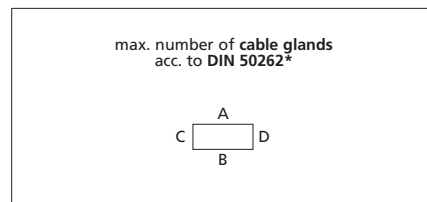
Ex empty enclosure **25.12 36 08**

Certification **ATEX**

External dimensions **120 x 360 x 80 mm**

Weight **1970 g**

DIN rail length in mm	max. fitting length in mm	PE bar max. number	PE busbar max. number	External earth in mm <sup>2</sup>	Allen lid screws	Sealable lid screws	External mounting brackets	External hinge (pair)	Internal hinge (pair)	Mounting plate
TS 35			2 x 6 mm <sup>2</sup>							
343	305		2	16 mm <sup>2</sup>	•	•	•	•		•



Diameter of connection (mm <sup>2</sup> )	1,5	2,5	4	6	10	16	25	35	50	70	95
max. number of terminals**	72	58	48	37	29	24					
max. number of DIN rails	1	1	1	1	1	1					
Number of internal cables in dependence to current/A	6										
	10	43									
	16	14	28	112							
	20	6	16	32							
	25		8	18	35						
	35			5	13	34					
	50				2	11	28				
	63					3	13	47			
	80						5	14	52		
	100							6	13		
	125								5		
	160										
	200										
	225										
	250										
	315										
400											
500											

M	Cross-corner dim.	Side		PG	Cross-corner dim.	Side	
		A/B	C/D			A/B	C/D
12	17,25	58	11	7	17,25	58	11
16	25,30	26	5	9	21,85	41	6
20	27,60	24	4	11	25,30	26	4
25	37,95	10	2	13,5	27,60	24	3
32	48,30	7	1	16	31,05	20	2
40	60,95			21	37,95	10	2
50	69,00			29	48,30	7	1
63	74,75			36	60,95		
				42	69,00		
				48	74,75		

Number or internal cables/2 = number of terminals

\* not for armoured cables

\*\* Base: Terminal block Phoenix Contact, further see page 11 + 12

Type: **E Ex e 05.14 14 09**

**E Ex ia 15.14 14 09**

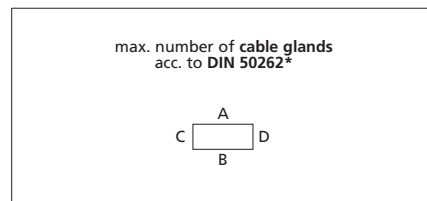
Ex empty enclosure **25.14 14 09**

Certification **ATEX**

External dimensions **140 x 140 x 90 mm**

Weight **1520 g**

DIN rail length in mm	max. fitting length in mm	PE bar max. number	PE busbar max. number	External earth in mm <sup>2</sup>	Allen lid screws	Sealable lid screws	External mounting brackets	External hinge (pair)	Internal hinge (pair)	Mounting plate
TS 35		8 x 6 mm <sup>2</sup>								
126	86	1		10 mm <sup>2</sup>	•	•	•	•		•



Diameter of connection (mm <sup>2</sup> )	1,5	2,5	4	6	10	16	25	35	50	70	95
max. number of terminals**	19	15	12	9	7						
max. number of DIN rails	1	1	1	1	1						
Number of internal cables in dependence to current/A	6										
	10	45									
	16	15	30	117							
	20	6	17	34							
	25		8	19	37						
	35			5	14	36					
	50				2	11					
	63					4					
	80										
	100										
	125										
	160										
	200										
	225										
	250										
	315										
400											
500											

M	Cross-corner dim.	Side		PG	Cross-corner dim.	Side	
		A/B	C/D			A/B	C/D
12	17,25	18	12	7	17,25	18	12
16	25,30	8	6	9	21,85	12	6
20	27,60	8	4	11	25,30	8	5
25	37,95	3	2	13,5	27,60	8	4
32	48,30	2	1	16	31,05	6	3
40	60,95			21	37,95	3	2
50	69,00			29	48,30	2	1
63	74,75			36	60,95		
				42	69,00		
				48	74,75		

Number or internal cables/2 = number of terminals

\* not for armoured cables

\*\* Base: Terminal block Phoenix Contact, further see page 11 + 12

Type: **E Ex e 05.14 20 09**

**E Ex ia 15.14 20 09**

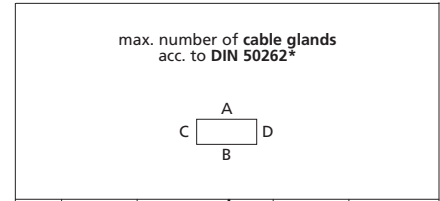
Ex empty enclosure **25.14 20 09**

Certification **ATEX**

External dimensions **140 x 200 x 90 mm**

Weight **2270 g**

DIN rail length in mm	max. fitting length in mm	PE bar max. number	PE busbar max. number	External earth in mm <sup>2</sup>	Allen lid screws	Sealable lid screws	External mounting brackets	External hinge (pair)	Internal hinge (pair)	Mounting plate
TS 35			6 x 6 mm <sup>2</sup>							
186	140		2	16 mm <sup>2</sup>	•	•	•	•		•



Diameter of connection (mm <sup>2</sup> )	1,5	2,5	4	6	10	16	25	35	50	70	95
max. number of terminals**	33	27	22	17	13	11					
max. number of DIN rails	1	1	1	1	1	1					
Number of internal cables in dependence to current/A	6										
	10	48									
	16	16	32	125							
	20	6	18	36							
	25		9	20	39						
	35			6	15	38					
	50				2	12	31				
	63					4	14	52			
	80						5	16			
	100							7			
	125										
	160										
	200										
	225										
	250										
	315										
400											
500											

M	Cross-corner dim.	Side		PG	Cross-corner dim.	Side	
		A/B	C/D			A/B	C/D
12	17,25	28	12	7	17,25	28	12
16	25,30	12	6	9	21,85	20	8
20	27,60	12	5	11	25,30	12	6
25	37,95	5	2	13,5	27,60	12	2
32	48,30	3	1	16	31,05	10	3
40	60,95			21	37,95	5	2
50	69,00			29	48,30	3	1
63	74,75			36	60,95		
				42	69,00		
				48	74,75		

Number or internal cables/2 = number of terminals  
 \* not for armoured cables  
 \*\* Base: Terminal block Phoenix Contact, further see page 11 + 12

Type: **E Ex e 05.16 16 09**

**E Ex ia 15.16 16 09**

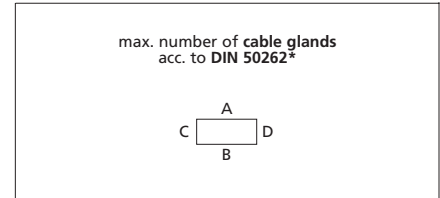
Ex empty enclosure **25.16 16 09**

Certification **ATEX**

External dimensions **160 x 160 x 90 mm**

Weight **1500 g**

DIN rail length in mm	max. fitting length in mm	PE bar max. number	PE busbar max. number	External earth in mm <sup>2</sup>	Allen lid screws	Sealable lid screws	External mounting brackets	External hinge (pair)	Internal hinge (pair)	Mounting plate
TS 35		10 x 6 mm <sup>2</sup>								
144	105	1		16 mm <sup>2</sup>	•	•	•	•	•	•



Diameter of connection (mm <sup>2</sup> )	1,5	2,5	4	6	10	16	25	35	50	70	95
max. number of terminals**	23	19	16	12	10	8					
max. number of DIN rails	1	1	1	1	1	1					
Number of internal cables in dependence to current/A	6										
	10	48									
	16	16	32	125							
	20	6	18	36							
	25		9	20	39						
	35			6	15	38					
	50				2	12	31				
	63					4	14	52			
	80						5	16			
	100							7			
	125										
	160										
	200										
	225										
	250										
	315										
400											
500											

M	Cross-corner dim.	Side		PG	Cross-corner dim.	Side	
		A/B	C/D			A/B	C/D
12	17,25	26	16	7	17,25	26	16
16	25,30	12	8	9	21,85	15	11
20	27,60	9	6	11	25,30	12	6
25	37,95	5	3	13,5	27,60	9	6
32	48,30	3	2	16	31,05	8	5
40	60,95	2	1	21	37,95	5	3
50	69,00	2		29	48,30	2	2
63	74,75			36	60,95	2	1
				42	69,00	1	
				48	74,75		

Number or internal cables/2 = number of terminals  
 \* not for armoured cables  
 \*\* Base: Terminal block Phoenix Contact, further see page 11 + 12

Type: **E Ex e 05.16 26 09**

**E Ex ia 15.16 26 09**

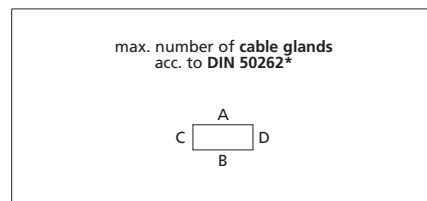
Ex empty enclosure **25.16 26 09**

Certification **ATEX**

External dimensions **160 x 260 x 90 mm**

Weight **2030 g**

DIN rail length in mm	max. fitting length in mm	PE bar max. number	PE busbar max. number	External earth in mm <sup>2</sup>	Allen lid screws	Sealable lid screws	External mounting brackets	External hinge (pair)	Internal hinge (pair)	Mounting plate
TS 35		22 x 6 mm <sup>2</sup>								
245	205	1		16 mm <sup>2</sup>	•	•	•	•	•	•



Diameter of connection (mm <sup>2</sup> )	1,5	2,5	4	6	10	16	25	35	50	70	95
max. number of terminals**	47	39	33	25	20	16	13	13			
max. number of DIN rails	1	1	1	1	1	1	1	1			
Number of internal cables in dependence to current/A	6										
	10	52									
	16	18	34	135							
	20	7	20	39							
	25		9	22	42						
	35			6	16	41					
	50				2	13	34				
	63					4	16	56			
	80						6	17	63		
	100							7	16		
	125								6		
	160										
	200										
	225										
	250										
	315										
400											
500											

M	Cross-corner dim.	Side		PG	Cross-corner dim.	Side	
		A/B	C/D			A/B	C/D
12	17,25	50	16	7	17,25	50	16
16	25,30	24	8	9	21,85	30	11
20	27,60	17	6	11	25,30	23	6
25	37,95	10	3	13,5	27,60	17	6
32	48,30	5	2	16	31,05	14	5
40	60,95	3	1	21	37,95	9	3
50	69,00	3		29	48,30	5	2
63	74,75			36	60,95	3	1
				42	69,00	3	
				48	74,75		

Number or internal cables/2 = number of terminals

\* not for armoured cables

\*\* Base: Terminal block Phoenix Contact, further see page 11 + 12

Type: **E Ex e 05.16 36 09**

**E Ex ia 15.16 36 09**

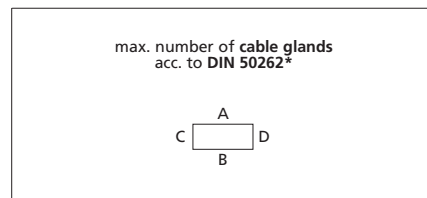
Ex empty enclosure **25.16 36 09**

Certification **ATEX**

External dimensions **160 x 360 x 90 mm**

Weight **2540 g**

DIN rail length in mm	max. fitting length in mm	PE bar max. number	PE busbar max. number	External earth in mm <sup>2</sup>	Allen lid screws	Sealable lid screws	External mounting brackets	External hinge (pair)	Internal hinge (pair)	Mounting plate
TS 35		32 x 6 mm <sup>2</sup>								
343	305	1		16 mm <sup>2</sup>	•	•	•	•	•	•



Diameter of connection (mm <sup>2</sup> )	1,5	2,5	4	6	10	16	25	35	50	70	95
max. number of terminals**	71	58	48	36	29	24	20	20			
max. number of DIN rails	1	1	1	1	1	1	1	1			
Number of internal cables in dependence to current/A	6										
	10	53									
	16	18	35	138							
	20	7	20	40							
	25		9	22	43						
	35			6	17	42					
	50				2	13	35				
	63					4	16	58			
	80						6	18	64		
	100							7	17		
	125								6		
	160										
	200										
	225										
	250										
	315										
400											
500											

M	Cross-corner dim.	Side		PG	Cross-corner dim.	Side	
		A/B	C/D			A/B	C/D
12	17,25	72	16	7	17,25	72	16
16	25,30	36	8	9	21,85	42	11
20	27,60	24	6	11	25,30	33	6
25	37,95	15	3	13,5	27,60	24	6
32	48,30	7	2	16	31,05	20	5
40	60,95	5	1	21	37,95	14	3
50	69,00	4		29	48,30	7	2
63	74,75			36	60,95	5	1
				42	69,00	4	
				48	74,75		

Number or internal cables/2 = number of terminals

\* not for armoured cables

\*\* Base: Terminal block Phoenix Contact, further see page 11 + 12



Type: **E Ex e 05.16 56 09**

**E Ex ia 15.16 56 09**

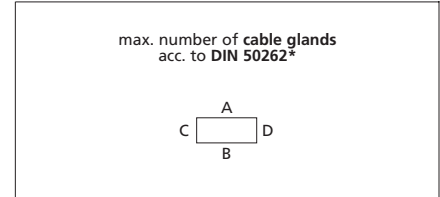
Ex empty enclosure **25.16 56 09**

Certification **ATEX**

External dimensions **160 x 560 x 90 mm**

Weight **3760 g**

DIN rail length in mm	max. fitting length in mm	PE bar max. number	PE busbar max. number	External earth in mm <sup>2</sup>	Allen lid screws	Sealable lid screws	External mounting brackets	External hinge (pair)	Internal hinge (pair)	Mounting plate
TS 35		56 x 6 mm <sup>2</sup>								
543	508	1		16 mm <sup>2</sup>	•	•	•	•	•	•



Diameter of connection (mm <sup>2</sup> )	1,5	2,5	4	6	10	16	25	35	50	70	95
max. number of terminals**	119	96	81	61	49	41	33	33			
max. number of DIN rails	1	1	1	1	1	1	1	1			
Number of internal cables in dependence to current/A	6										
	10	53									
	16	18	35	138							
	20	7	20	40							
	25		9	22	43						
	35			6	17	42					
	50				2	13	35				
	63					4	16	58			
	80						6	18	64		
	100							7	17		
	125								6		
	160										
	200										
	225										
	250										
	315										
400											
500											

M	Cross-corner dim.	Side		PG	Cross-corner dim.	Side	
		A/B	C/D			A/B	C/D
12	17,25	104	16	7	17,25	104	16
16	25,30	58	8	9	21,85	66	11
20	27,60	40	6	11	25,30	58	6
25	37,95	24	3	13,5	27,60	40	6
32	48,30	12	2	16	31,05	32	5
40	60,95	8	1	21	37,95	24	3
50	69,00	6		29	48,30	12	2
63	74,75			36	60,95	8	1
				42	69,00	6	
				48	74,75		

Number or internal cables/2 = number of terminals  
 \* not for armoured cables  
 \*\* Base: Terminal block Phoenix Contact, further see page 11 + 12

Type: **E Ex e 05.18 18 10**

**E Ex ia 15.18 18 10**

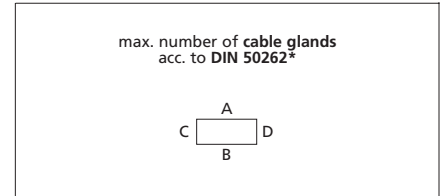
Ex empty enclosure **25.18 18 10**

Certification **ATEX**

External dimensions **180 x 180 x 100 mm**

Weight **2270 g**

DIN rail length in mm	max. fitting length in mm	PE bar max. number	PE busbar max. number	External earth in mm <sup>2</sup>	Allen lid screws	Sealable lid screws	External mounting brackets	External hinge (pair)	Internal hinge (pair)	Mounting plate
TS 35		12 x 6 mm <sup>2</sup>								
166	126	1		16 mm <sup>2</sup>	•	•	•	•	•	•



Diameter of connection (mm <sup>2</sup> )	1,5	2,5	4	6	10	16	25	35	50	70	95
max. number of terminals**	28	23	19	14	11	9					
max. number of DIN rails	1	1	1	1	1	1					
Number of internal cables in dependence to current/A	6										
	10	54									
	16	18	36	139							
	20	7	21	40							
	25		10	23	44						
	35			6	17	43					
	50				2	14	35				
	63					4	16	58			
	80						6	18			
	100							7			
	125										
	160										
	200										
	225										
	250										
	315										
400											
500											

M	Cross-corner dim.	Side		PG	Cross-corner dim.	Side	
		A/B	C/D			A/B	C/D
12	17,25	30	20	7	17,25	28	20
16	25,30	15	9	9	21,85	18	14
20	27,60	11	8	11	25,30	15	8
25	37,95	6	3	13,5	27,60	11	8
32	48,30	3	2	16	31,05	8	6
40	60,95	2	2	21	37,95	6	3
50	69,00	2		29	48,30	3	2
63	74,75			36	60,95	2	2
				42	69,00	2	
				48	74,75		

Number or internal cables/2 = number of terminals  
 \* not for armoured cables  
 \*\* Base: Terminal block Phoenix Contact, further see page 11 + 12

Type: **E Ex e 05.18 28 10**

**E Ex ia 15.18 28 10**

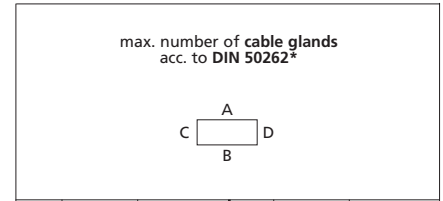
Ex empty enclosure **25.18 28 10**

Certification **ATEX**

External dimensions **180 x 280 x 100 mm**

Weight **2920 g**

DIN rail length in mm	max. fitting length in mm	PE bar max. number	PE busbar max. number	External earth in mm <sup>2</sup>	Allen lid screws	Sealable lid screws	External mounting brackets	External hinge (pair)	Internal hinge (pair)	Mounting plate
TS 35		24 x 6 mm <sup>2</sup>								
264	221,5	1		16 mm <sup>2</sup>	•	•	•	•	•	•



Diameter of connection (mm <sup>2</sup> )	1,5	2,5	4	6	10	16	25	35	50	70	95
max. number of terminals**	52	42	35	26	21	17	14	14			
max. number of DIN rails	1	1	1	1	1	1					
Number of internal cables in dependence to current/A	6										
	10	58									
	16	20	38	150							
	20	8	22	43							
	25		10	24	47						
	35			7	18	46					
	50				2	15	38				
	63					5	17	63			
	80						6	19	70		
	100							8	18		
	125								7		
	160										
	200										
	225										
	250										
	315										
400											
500											

M	Cross-corner dim.	Side		PG	Cross-corner dim.	Side	
		A/B	C/D			A/B	C/D
12	17,25	52	22	7	17,25	52	22
16	25,30	26	10	9	21,85	33	15
20	27,60	18	8	11	25,30	23	10
25	37,95	11	4	13,5	27,60	18	8
32	48,30	5	2	16	31,05	14	7
40	60,95	4	2	21	37,95	10	4
50	69,00	3		29	48,30	5	2
63	74,75			36	60,95	4	2
				42	69,00	3	
				48	74,75		

Number or internal cables/2 = number of terminals  
 \* not for armoured cables  
 \*\* Base: Terminal block Phoenix Contact, further see page 11 + 12

Type: **E Ex e 05.23 10 11**

**E Ex ia 15.23 10 11**

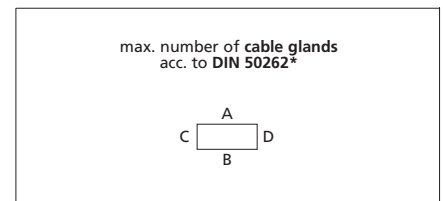
Ex empty enclosure **25.23 10 11**

Certification **ATEX**

External dimensions **100 x 230 x 110 mm**

Weight **1800 g**

DIN rail length in mm	max. fitting length in mm	PE bar max. number	PE busbar max. number	External earth in mm <sup>2</sup>	Allen lid screws	Sealable lid screws	External mounting brackets	External hinge (pair)	Internal hinge (pair)	Mounting plate
TS 35			4 x 6 mm <sup>2</sup>							
214	172		2	10 mm <sup>2</sup>	•	•	•	•		•



Diameter of connection (mm <sup>2</sup> )	1,5	2,5	4	6	10	16	25	35	50	70	95
max. number of terminals**	40	32	27	22	16						
max. number of DIN rails	1	1	1	1	1						
Number of internal cables in dependence to current/A	6										
	10	47									
	16	16	31	123							
	20	6	18	35							
	25		8	20	39						
	35			6	15	37					
	50				2	12	31				
	63					4	14	51			
	80						5	16	57		
	100							7	15		
	125								6		
	160										
	200										
	225										
	250										
	315										
400											
500											

M	Cross-corner dim.	Side		PG	Cross-corner dim.	Side	
		A/B	C/D			A/B	C/D
12	17,25	15	45	7	17,25	15	45
16	25,30	8	18	9	21,85	10	28
20	27,60	6	17	11	25,30	6	18
25	37,95	3	8	13,5	27,60	6	17
32	48,30	2	5	16	31,05	5	12
40	60,95	1	3	21	37,95	3	8
50	69,00	1	2	29	48,30	1	4
63	74,75		2	36	60,95	1	3
				42	69,00	1	2
				48	74,75	1	2

Number or internal cables/2 = number of terminals  
 \* not for armoured cables  
 \*\* Base: Terminal block Phoenix Contact, further see page 11 + 12

Type: **E Ex e 05.23 20 11**

**E Ex ia 15.23 20 11**

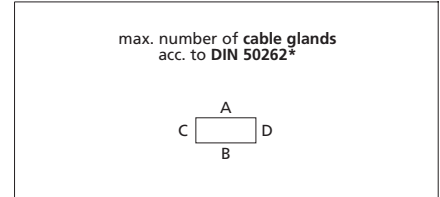
Ex empty enclosure **25.23 20 11**

Certification **ATEX**

External dimensions **230 x 200 x 110 mm**

Weight **2440 g**

DIN rail length in mm	max. fitting length in mm	PE bar max. number	PE busbar max. number	External earth in mm <sup>2</sup>	Allen lid screws	Sealable lid screws	External mounting brackets	External hinge (pair)	Internal hinge (pair)	Mounting plate
TS 35		16 x 6 mm <sup>2</sup>								
186	140	1		35 mm <sup>2</sup>	•	•	•	•	•	•



Diameter of connection (mm <sup>2</sup> )	1,5	2,5	4	6	10	16	25	35	50	70	95
max. number of terminals**	66	54	44	34	13	11	9	9			
max. number of DIN rails	2	2	2	2	1	1	1	1			
Number of internal cables in dependence to current/A	6										
	10	62									
	16	21	41	160							
	20	8	24	46							
	25		11	26	51						
	35			7	20	49					
	50				2	16	41				
	63					5	19	67			
	80						7	21	75		
	100							9	20		
	125								8		
	160										
	200										
	225										
	250										
	315										
	400										
500											

M	Cross-corner dim.	Side		PG	Cross-corner dim.	Side	
		A/B	C/D			A/B	C/D
12	17,25	45	45	7	17,25	45	45
16	25,30	22	18	9	21,85	28	28
20	27,60	18	17	11	25,30	20	18
25	37,95	8	8	13,5	27,60	18	17
32	48,30	6	5	16	31,05	15	12
40	60,95	3	3	21	37,95	8	8
50	69,00	2	2	29	48,30	5	4
63	74,75	2	2	36	60,95	3	3
				42	69,00	2	2
				48	74,75	2	2

Number or internal cables/2 = number of terminals  
 \* not for armoured cables  
 \*\* Base: Terminal block Phoenix Contact, further see page 11 + 12

Type: **E Ex e 05.23 20 18**

**E Ex ia 15.23 20 18**

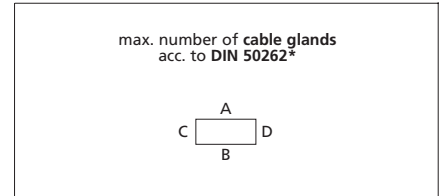
Ex empty enclosure **25.23 20 18**

Certification **ATEX**

External dimensions **230 x 200 x 180 mm**

Weight **3980 g**

DIN rail length in mm	max. fitting length in mm	PE bar max. number	PE busbar max. number	External earth in mm <sup>2</sup>	Allen lid screws	Sealable lid screws	External mounting brackets	External hinge (pair)	Internal hinge (pair)	Mounting plate
TS 35		16 x 6 mm <sup>2</sup>								
186	140	1		35 mm <sup>2</sup>	•	•	•	•	•	•



Diameter of connection (mm <sup>2</sup> )	1,5	2,5	4	6	10	16	25	35	50	70	95
max. number of terminals**	66	54	44	34	13	11	9	9			
max. number of DIN rails	2	2	2	2	1	1	1	1			
Number of internal cables in dependence to current/A	6										
	10	81									
	16	28	54								
	20	11	31	61							
	25		15	34	66						
	35			10	26	65					
	50				3	21	53				
	63					7	25	88			
	80						9	27	99		
	100							12	26		
	125								10		
	160										
	200										
	225										
	250										
	315										
	400										
500											

M	Cross-corner dim.	Side		PG	Cross-corner dim.	Side	
		A/B	C/D			A/B	C/D
12	17,25	90	81	7	17,25	90	81
16	25,30	42	36	9	21,85	56	49
20	27,60	33	33	11	25,30	42	36
25	37,95	18	16	13,5	27,60	33	33
32	48,30	10	9	16	31,05	25	25
40	60,95	6	6	21	37,95	16	16
50	69,00	5	5	29	48,30	10	9
63	74,75	4	4	36	60,95	6	5
				42	69,00	5	4
				48	74,75	4	4

Number or internal cables/2 = number of terminals  
 \* not for armoured cables  
 \*\* Base: Terminal block Phoenix Contact, further see page 11 + 12

Type: **E Ex e 05.23 28 11**

**E Ex ia 15.23 28 11**

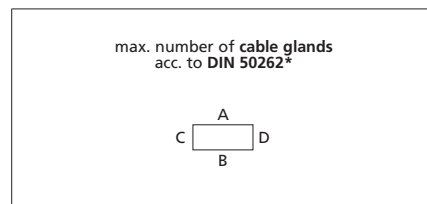
Ex empty enclosure **25.23 28 11**

Certification **ATEX**

External dimensions **230 x 280 x 110 mm**

Weight **2990 g**

DIN rail length in mm	max. fitting length in mm	PE bar max. number	PE busbar max. number	External earth in mm <sup>2</sup>	Allen lid screws	Sealable lid screws	External mounting brackets	External hinge (pair)	Internal hinge (pair)	Mounting plate
TS 35		24 x 6 mm <sup>2</sup>								
264	220	1		35 mm <sup>2</sup>	•	•	•	•	•	•



Diameter of connection (mm <sup>2</sup> )	1,5	2,5	4	6	10	16	25	35	50	70	95
max. number of terminals**	104	84	70	52	42	17	14	14			
max. number of DIN rails	2	2	2	2	2	1	1	1			
Number of internal cables in dependence to current/A	6										
	10	67									
	16	23	44	173							
	20	9	26	50							
	25		12	28	54						
	35			8	21	53					
	50				3	17	44				
	63					5	20	72			
	80						7	22	81		
	100							9	21		
	125								8		
	160										
	200										
	225										
	250										
	315										
400											
500											

M	Cross-corner dim.	Side		PG	Cross-corner dim.	Side	
		A/B	C/D			A/B	C/D
12	17,25	70	45	7	17,25	68	45
16	25,30	32	18	9	21,85	44	28
20	27,60	24	17	11	25,30	32	18
25	37,95	12	8	13,5	27,60	24	17
32	48,30	9	5	16	31,05	21	12
40	60,95	4	3	21	37,95	12	8
50	69,00	3	2	29	48,30	9	4
63	74,75	3	2	36	60,95	4	3
				42	69,00	3	2
				48	74,75	3	2

Number or internal cables/2 = number of terminals  
 \* not for armoured cables  
 \*\* Base: Terminal block Phoenix Contact, further see page 11 + 12

Type: **E Ex e 05.23 33 11**

**E Ex ia 15.23 33 11**

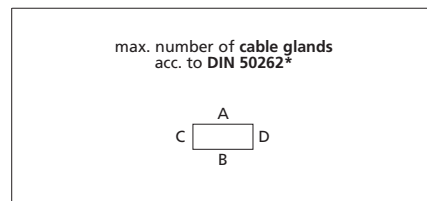
Ex empty enclosure **25.23 33 11**

Certification **ATEX**

External dimensions **230 x 330 x 110 mm**

Weight **3390 g**

DIN rail length in mm	max. fitting length in mm	PE bar max. number	PE busbar max. number	External earth in mm <sup>2</sup>	Allen lid screws	Sealable lid screws	External mounting brackets	External hinge (pair)	Internal hinge (pair)	Mounting plate
TS 35		28 x 6 mm <sup>2</sup>								
314	270	1		35 mm <sup>2</sup>	•	•	•	•	•	•



Diameter of connection (mm <sup>2</sup> )	1,5	2,5	4	6	10	16	25	35	50	70	95
max. number of terminals**	128	104	86	66	52	22	17	17	13		
max. number of DIN rails	2	2	2	2	2	1	1	1	1		
Number of internal cables in dependence to current/A	6										
	10	69									
	16	23	45	178							
	20	9	26	51							
	25		12	29	56						
	35			8	22	54					
	50				3	18	45				
	63					6	21	74			
	80						8	23	83		
	100							10	22		
	125								9	22	
	160									7	
	200										
	225										
	250										
	315										
400											
500											

M	Cross-corner dim.	Side		PG	Cross-corner dim.	Side	
		A/B	C/D			A/B	C/D
12	17,25	84	45	7	17,25	81	45
16	25,30	42	18	9	21,85	52	28
20	27,60	30	17	11	25,30	38	18
25	37,95	15	8	13,5	27,60	30	17
32	48,30	11	5	16	31,05	27	12
40	60,95	5	3	21	37,95	15	8
50	69,00	4	2	29	48,30	11	4
63	74,75	4	2	36	60,95	5	3
				42	69,00	4	2
				48	74,75	4	2

Number or internal cables/2 = number of terminals  
 \* not for armoured cables  
 \*\* Base: Terminal block Phoenix Contact, further see page 11 + 12

Type: **E Ex e 05.23 33 18**

**E Ex ia 15.23 33 18**

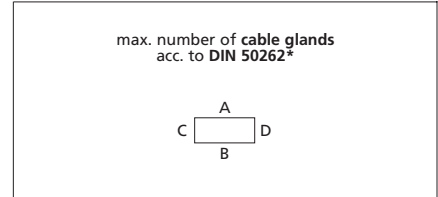
Ex empty enclosure **25.23 33 18**

Certification **ATEX**

External dimensions **230 x 330 x 180 mm**

Weight **5260 g**

DIN rail length in mm	max. fitting length in mm	PE bar max. number	PE busbar max. number	External earth in mm <sup>2</sup>	Allen lid screws	Sealable lid screws	External mounting brackets	External hinge (pair)	Internal hinge (pair)	Mounting plate
TS 35		28 x 6 mm <sup>2</sup>								
314	270	1		35 mm <sup>2</sup>	•	•	•	•	•	•



Diameter of connection (mm <sup>2</sup> )	1,5	2,5	4	6	10	16	25	35	50	70	95
max. number of terminals**	128	104	86	66	52	22	17	17	13		
max. number of DIN rails	2	2	2	2	2	1	1	1	1		
Number of internal cables in dependence to current/A	6										
	10	88									
	16	30	59	228							
	20	12	34	66							
	25		16	37	72						
	35			11	28	70					
	50				4	23	58				
	63					7	27	96			
	80						10	30	107		
	100							13	28		
	125								11	28	
	160									10	
	200										
	225										
	250										
	315										
400											
500											

M	Cross-corner dim.	Side		PG	Cross-corner dim.	Side	
		A/B	C/D			A/B	C/D
12	17,25	165	81	7	17,25	144	81
16	25,30	77	36	9	21,85	104	49
20	27,60	60	33	11	25,30	77	36
25	37,95	30	16	13,5	27,60	60	33
32	48,30	18	9	16	31,05	45	25
40	60,95	11	6	21	37,95	30	16
50	69,00	8	5	29	48,30	18	9
63	74,75	8	4	36	60,95	11	5
				42	69,00	8	4
				48	74,75	8	4

Number or internal cables/2 = number of terminals  
 \* not for armoured cables  
 \*\* Base: Terminal block Phoenix Contact, further see page 11 + 12

Type: **E Ex e 05.23 40 11**

**E Ex ia 15.23 40 11**

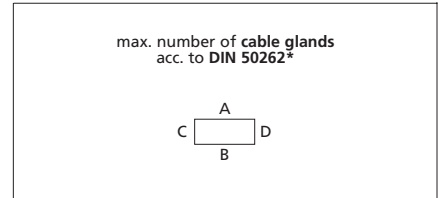
Ex empty enclosure **25.23 40 11**

Certification **ATEX**

External dimensions **230 x 400 x 110 mm**

Weight **3840 g**

DIN rail length in mm	max. fitting length in mm	PE bar max. number	PE busbar max. number	External earth in mm <sup>2</sup>	Allen lid screws	Sealable lid screws	External mounting brackets	External hinge (pair)	Internal hinge (pair)	Mounting plate
TS 35		36 x 6 mm <sup>2</sup>								
381	340	1		35 mm <sup>2</sup>	•	•	•	•	•	•



Diameter of connection (mm <sup>2</sup> )	1,5	2,5	4	6	10	16	25	35	50	70	95		
max. number of terminals**	160	130	108	82	66	27	22	22	17				
max. number of DIN rails	2	2	2	2	2	1	1	1	1				
Number of internal cables in dependence to current/A	6												
	10	70											
	16	24	47	182									
	20	10	27	52									
	25		13	30	57								
	35			8	22	56							
	50				3	18	46						
	63					6	21	76					
	80						8	24	85				
	100							10	22				
	125								9	22			
	160									7	20		
	200										7	17	
	225											2	10
	250												5
	315												
400													
500													

M	Cross-corner dim.	Side		PG	Cross-corner dim.	Side	
		A/B	C/D			A/B	C/D
12	17,25	103	45	7	17,25	103	45
16	25,30	50	18	9	21,85	64	28
20	27,60	39	17	11	25,30	46	18
25	37,95	20	8	13,5	27,60	39	17
32	48,30	14	5	16	31,05	33	12
40	60,95	6	3	21	37,95	18	8
50	69,00	5	2	29	48,30	13	4
63	74,75	5	2	36	60,95	6	3
				42	69,00	5	2
				48	74,75	5	2

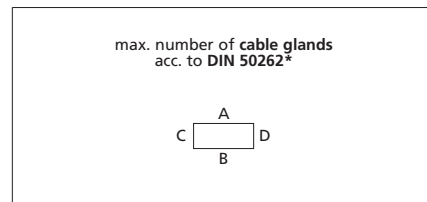
Number or internal cables/2 = number of terminals  
 \* not for armoured cables  
 \*\* Base: Terminal block Phoenix Contact, further see page 11 + 12

Certification **ATEX**

External dimensions **230 x 400 x 225 mm**

Weight **6840 g**

DIN rail length in mm	max. fitting length in mm	PE bar max. number	PE busbar max. number	External earth in mm <sup>2</sup>	Allen lid screws	Sealable lid screws	External mounting brackets	External hinge (pair)	Internal hinge (pair)	Mounting plate
TS 35		36 x 6 mm <sup>2</sup>								
381	340	1		35 mm <sup>2</sup>	•	•	•	•	•	•



Diameter of connection (mm <sup>2</sup> )	1,5	2,5	4	6	10	16	25	35	50	70	95			
max. number of terminals**	160	130	108	82	66	27	22	22	17					
max. number of DIN rails	2	2	2	2	2	1	1	1	1					
Number of internal cables in dependence to current/A	6													
	10	102												
	16	35	67	263										
	20	14	39	76										
	25		18	43	83									
	35			12	32	81								
	50				4	26	67							
	63					9	31	110						
	80						12	34	123					
	100							15	32					
	125								13	33				
	160									11	29			
	200										10	25		
	225											4	14	
	250													7
315														
400														
500														

M	Cross-corner dim.	Side		PG	Cross-corner dim.	Side	
		A/B	C/D			A/B	C/D
12	17,25	240	108	7	17,25	240	108
16	25,30	122	48	9	21,85	160	63
20	27,60	100	44	11	25,30	112	48
25	37,95	54	21	13,5	27,60	100	44
32	48,30	30	13	16	31,05	77	35
40	60,95	18	9	21	37,95	54	21
50	69,00	15	6	29	48,30	30	13
63	74,75	12	5	36	60,95	18	6
				42	69,00	15	6
				48	74,75	12	5

Number or internal cables/2 = number of terminals  
 \* not for armoured cables  
 \*\* Base: Terminal block Phoenix Contact, further see page 11 + 12

Certification **ATEX**

External dimensions **230 x 600 x 110 mm**

Weight **6950 g**

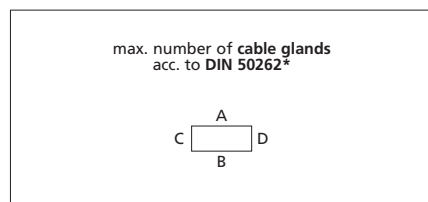
DIN rail length in mm	max. fitting length in mm	PE bar max. number	PE busbar max. number	External earth in mm <sup>2</sup>	Allen lid screws	Sealable lid screws	External mounting brackets	External hinge (pair)	Internal hinge (pair)	Mounting plate
TS 35		56 x 6 mm <sup>2</sup>								
581	540	1		35 mm <sup>2</sup>	•	•	•	•		•

Diameter of connection (mm <sup>2</sup> )	1,5	2,5	4	6	10	16	25	35	50	70	95	120	150	185	240
max. number of terminals**	256	206	174	130	53	44	35	35	26						
max. number of DIN rails	2	2	2	2	1	1	1	1	1						
Number of internal cables in dependence to current/A	6														
	10	72													
	16	24	47	185											
	20	10	28	54											
	25		13	30	58										
	35			9	23	57									
	50				3	18	47								
	63					6	22	78							
	80						8	24	87						
	100							10	23						
	125								9	23					
	160									8	20				
	200										7	17	55		
	225										2	10	21		
	250											5	13	27	
	315												2	8	16
400														3	11
500															

Number of internal cables/2 = number of terminals

\* not for armoured cables

\*\* Base: Terminal block Phoenix Contact, further see page 11 + 12



M	Cross-corner dim.	Side		PG	Cross-corner dim.	Side	
		A/B	C/D			A/B	C/D
12	17,25	150	43	7	17,25	150	43
16	25,30	72	18	9	21,85	96	28
20	27,60	54	17	11	25,30	68	18
25	37,95	28	8	13,5	27,60	54	15
32	48,30	20	4	16	31,05	28	12
40	60,95	10	3	21	37,95	28	8
50	69,00	8	2	29	48,30	20	4
63	74,75	6	2	36	60,95	10	2
				42	69,00	8	2
				48	74,75	6	2

Type: **E Ex e 05.31 40 11**

**E Ex ia 15.31 40 11**

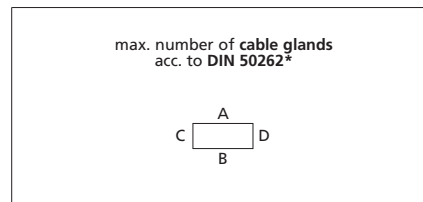
Ex empty enclosure **25.31 40 11**

Certification **ATEX**

External dimensions **310 x 400 x 110 mm**

Weight **5300 g**

DIN rail length in mm	max. fitting length in mm	PE bar max. number	PE busbar max. number	External earth in mm <sup>2</sup>	Allen lid screws	Sealable lid screws	External mounting brackets	External hinge (pair)	Internal hinge (pair)	Mounting plate
TS 35		36 x 6 mm <sup>2</sup>								
381	340	2		50 mm <sup>2</sup>	•	•	•	•	•	•



Diameter of connection (mm <sup>2</sup> )	1,5	2,5	4	6	10	16	25	35	50	70	95			
max. number of terminals**	240	195	162	82	66	54	22	22	16					
max. number of DIN rails	3	3	3	2	2	2	1	1	1					
Number of internal cables in dependence to current/A	6													
	10	81												
	16	28	54	210										
	20	11	31	61										
	25		15	34	66									
	35			10	26	64								
	50				3	21	53							
	63					7	25	88						
	80						9	27	98					
	100							11	26					
	125								10	26				
	160									9	23			
	200										8	20		
	225											3	11	
	250													6
	315													
400														
500														

M	Cross-corner dim.	Side		PG	Cross-corner dim.	Side	
		A/B	C/D			A/B	C/D
12	17,25	105	68	7	17,25	103	68
16	25,30	50	28	9	21,85	64	42
20	27,60	39	26	11	25,30	46	27
25	37,95	20	12	13,5	27,60	39	24
32	48,30	14	7	16	31,05	33	18
40	60,95	6	4	21	37,95	18	12
50	69,00	5	3	29	48,30	13	7
63	74,75	5	3	36	60,95	6	4
				42	69,00	5	3
				48	74,75	5	3

Number or internal cables/2 = number of terminals  
 \* not for armoured cables  
 \*\* Base: Terminal block Phoenix Contact, further see page 11 + 12

Type: **E Ex e 05.31 40 14**

**E Ex ia 15.31 40 14**

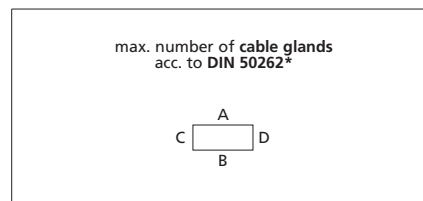
Ex empty enclosure **25.31 40 14**

Certification **ATEX**

External dimensions **310 x 400 x 140 mm**

Weight **6720 g**

DIN rail length in mm	max. fitting length in mm	PE bar max. number	PE busbar max. number	External earth in mm <sup>2</sup>	Allen lid screws	Sealable lid screws	External mounting brackets	External hinge (pair)	Internal hinge (pair)	Mounting plate
TS 35		36 x 6 mm <sup>2</sup>								
381	340	2		50 mm <sup>2</sup>	•	•	•	•	•	•



Diameter of connection (mm <sup>2</sup> )	1,5	2,5	4	6	10	16	25	35	50	70	95			
max. number of terminals**	240	195	162	82	66	54	22	22	16	13	13			
max. number of DIN rails	3	3	3	2	2	2	1	1	1	1	1			
Number of internal cables in dependence to current/A	6													
	10	89												
	16	30	59	230										
	20	12	34	67										
	25		16	38	73									
	35			11	28	71								
	50				4	23	58							
	63					7	27	97						
	80						10	30	108					
	100							13	28					
	125								11	29				
	160									10	25			
	200										9	22		
	225											3	11	
	250													6
	315													
400														
500														

M	Cross-corner dim.	Side		PG	Cross-corner dim.	Side	
		A/B	C/D			A/B	C/D
12	17,25	147	95	7	17,25	147	95
16	25,30	70	43	9	21,85	96	55
20	27,60	55	32	11	25,30	70	40
25	37,95	28	18	13,5	27,60	55	32
32	48,30	17	10	16	31,05	44	28
40	60,95	12	7	21	37,95	27	18
50	69,00	7	4	29	48,30	17	10
63	74,75	6	3	36	60,95	12	7
				42	69,00	7	4
				48	74,75	6	3

Number or internal cables/2 = number of terminals  
 \* not for armoured cables  
 \*\* Base: Terminal block Phoenix Contact, further see page 11 + 12



Type: **E Ex e 05.31 40 18**

**E Ex ia 15.31 40 18**

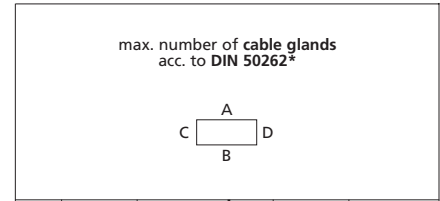
Ex empty enclosure **25.31 40 18**

Certification **ATEX**

External dimensions **310 x 400 x 180 mm**

Weight **8480 g**

DIN rail length in mm	max. fitting length in mm	PE bar max. number	PE busbar max. number	External earth in mm <sup>2</sup>	Allen lid screws	Sealable lid screws	External mounting brackets	External hinge (pair)	Internal hinge (pair)	Mounting plate
TS 35		36 x 6 mm <sup>2</sup>								
381	340	2		50 mm <sup>2</sup>	•	•	•	•	•	•



Diameter of connection (mm <sup>2</sup> )	1,5	2,5	4	6	10	16	25	35	50	70	95			
max. number of terminals**	240	195	162	82	66	54	22	22	16	13	13			
max. number of DIN rails	3	3	3	2	2	2	1	1	1	1	1			
Number of internal cables in dependence to current/A	6													
	10	101												
	16	34	67	261										
	20	14	39	75										
	25		18	43	82									
	35			12	32	80								
	50				4	26	66							
	63					9	31	109						
	80						12	34	122					
	100							14	32					
	125								13	32				
	160									11	29			
	200										10	25		
	225											4	14	
	250													7
	315													
400														
500														

M	Cross-corner dim.	Side		PG	Cross-corner dim.	Side	
		A/B	C/D			A/B	C/D
12	17,25	205	122	7	17,25	205	122
16	25,30	98	54	9	21,85	128	77
20	27,60	78	51	11	25,30	98	54
25	37,95	40	24	13,5	27,60	75	48
32	48,30	22	15	16	31,05	60	38
40	60,95	15	9	21	37,95	38	24
50	69,00	11	6	29	48,30	22	15
63	74,75	8	6	36	60,95	14	8
				42	69,00	10	6
				48	74,75	10	6

Number or internal cables/2 = number of terminals  
 \* not for armoured cables  
 \*\* Base: Terminal block Phoenix Contact, further see page 11 + 12

Type: **E Ex e 05.31 40 23**

**E Ex ia 15.31 40 23**

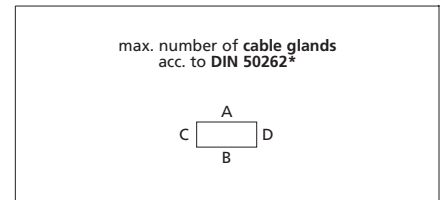
Ex empty enclosure **25.31 40 23**

Certification **ATEX**

External dimensions **310 x 400 x 226 mm**

Weight **8680 g**

DIN rail length in mm	max. fitting length in mm	PE bar max. number	PE busbar max. number	External earth in mm <sup>2</sup>	Allen lid screws	Sealable lid screws	External mounting brackets	External hinge (pair)	Internal hinge (pair)	Mounting plate
TS 35		36 x 6 mm <sup>2</sup>								
381	340	2		50 mm <sup>2</sup>	•	•	•	•	•	•



Diameter of connection (mm <sup>2</sup> )	1,5	2,5	4	6	10	16	25	35	50	70	95			
max. number of terminals**	240	195	162	82	66	54	22	22	16	13	13			
max. number of DIN rails	3	3	3	2	2	2	1	1	1	1	1			
Number of internal cables in dependence to current/A	6													
	10	114												
	16	39	76	294										
	20	16	44	85										
	25		21	48	93									
	35			14	36	90								
	50				5	29	75							
	63					10	35	123						
	80						13	38	138					
	100							16	36					
	125								14	37				
	160									12	32			
	200										11	28		
	225											4	16	
	250													8
	315													
400														
500														

M	Cross-corner dim.	Side		PG	Cross-corner dim.	Side	
		A/B	C/D			A/B	C/D
12	17,25	246	162	7	17,25	246	162
16	25,30	126	72	9	21,85	160	99
20	27,60	100	68	11	25,30	112	72
25	37,95	54	33	13,5	27,60	100	64
32	48,30	30	20	16	31,05	77	53
40	60,95	18	12	21	37,95	54	33
50	69,00	15	9	29	48,30	30	20
63	74,75	12	8	36	60,95	18	12
				42	69,00	15	9
				48	74,75	14	8

Number or internal cables/2 = number of terminals  
 \* not for armoured cables  
 \*\* Base: Terminal block Phoenix Contact, further see page 11 + 12

Certification **ATEX**

External dimensions **310 x 600 x 110 mm**

Weight **8660 g**

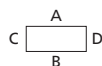
DIN rail length in mm	max. fitting length in mm	PE bar max. number	PE busbar max. number	External earth in mm <sup>2</sup>	Allen lid screws	Sealable lid screws	External mounting brackets	External hinge (pair)	Internal hinge (pair)	Mounting plate
TS 35		56 x 6 mm <sup>2</sup>								
581	540	2		50 mm <sup>2</sup>	•	•	•	•	•	•

Diameter of connection (mm <sup>2</sup> )	1,5	2,5	4	6	10	16	25	35	50	70	95	120	150	185	240
max. number of terminals**	384	309	261	136	106	88	35	35	26						
max. number of DIN rails	3	3	3	2	2	2	1	1	1						
Number of internal cables in dependence to current/A	6														
	10	85													
	16	29	56	220											
	20	12	33	64											
	25		15	36	69										
	35			10	27	68									
	50				4	22	56								
	63					7	26	92							
	80						10	29	103						
	100							12	27						
	125								11	27					
	160									9	24				
	200										8	21	65		
	225											3	12	25	
	250												6	15	32
	315													3	9
400															4
500															

Number of internal cables/2 = number of terminals  
 \* not for armoured cables

\*\* Base: Terminal block Phoenix Contact, further see page 11 + 12

max. number of cable glands acc. to DIN 50262\*



M	Cross-corner dim.	Side		PG	Cross-corner dim.	Side	
		A/B	C/D			A/B	C/D
12	17,25	150	68	7	17,25	150	68
16	25,30	76	28	9	21,85	96	42
20	27,60	60	24	11	25,30	72	27
25	37,95	30	12	13,5	27,60	60	24
32	48,30	20	7	16	31,05	48	18
40	60,95	10	4	21	37,95	28	12
50	69,00	8	3	29	48,30	20	6
63	74,75	6	3	36	60,95	10	4
				42	69,00	8	3
				48	74,75	6	3

Certification **ATEX**

External dimensions **310 x 600 x 180 mm**

Weight **11100 g**

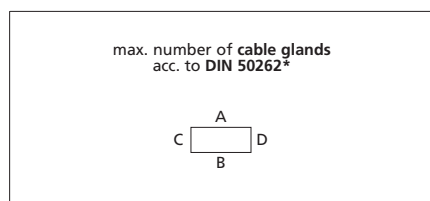
DIN rail length in mm	max. fitting length in mm	PE bar max. number	PE busbar max. number	External earth in mm <sup>2</sup>	Allen lid screws	Sealable lid screws	External mounting brackets	External hinge (pair)	Internal hinge (pair)	Mounting plate
TS 35		36 x 6 mm <sup>2</sup>								
581	540	2		50 mm <sup>2</sup>	•	•	•	•	•	•

Diameter of connection (mm <sup>2</sup> )	1,5	2,5	4	6	10	16	25	35	50	70	95	120	150	185	240
max. number of terminals**	384	309	261	136	106	88	35	35	26	21	21				
max. number of DIN rails	3	3	3	2	2	2	1	1	1	1	1				
Number of internal cables in dependence to current/A	6														
	10	104													
	16	36	69	269											
	20	15	40	78											
	25		19	44	85										
	35			13	33	83									
	50				5	27	68								
	63					9	32	113							
	80						12	35	126						
	100							15	33						
	125								13	34					
	160									11	30				
	200										10	26	79		
	225										4	15	31		
	250											8	19	39	
	315												4	11	23
400														5	16
500															2

Number of internal cables/2 = number of terminals

\* not for armoured cables

\*\* Base: Terminal block Phoenix Contact, further see page 11 + 12



M	Cross-corner dim.	Side		PG	Cross-corner dim.	Side	
		A/B	C/D			A/B	C/D
12	17,25	150	68	7	17,25	150	68
16	25,30	76	28	9	21,85	96	42
20	27,60	60	24	11	25,30	72	27
25	37,95	30	12	13,5	27,60	60	24
32	48,30	20	7	16	31,05	48	18
40	60,95	10	4	21	37,95	28	12
50	69,00	8	3	29	48,30	20	6
63	74,75	6	3	36	60,95	10	4
				42	69,00	8	3
				48	74,75	6	3

Certification **ATEX**

External dimensions **600 x 600 x 200 mm**

Weight **25960 g**

DIN rail length in mm	max. fitting length in mm	PE bar max. number	PE busbar max. number	External earth in mm <sup>2</sup>	Allen lid screws	Sealable lid screws	External mounting brackets	External hinge (pair)	Internal hinge (pair)	Mounting plate
TS 35		56 x 6 mm <sup>2</sup>								
575	540	3		120 mm <sup>2</sup>	•	•	•	•	•	•

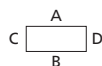
Diameter of connection (mm <sup>2</sup> )	1,5	2,5	4	6	10	16	25	35	50	70	95	120	150	185	240
max. number of terminals**	500	404	336	192	153	126	102	102	52	21	21	16	16	14	14
max. number of DIN rails	4	4	4	4	3	3	2	2	1	1	1	1	1	1	1
Number of internal cables in dependence to current/A	6														
	10	142													
	16	49	95	368											
	20	20	55	107											
	25		26	60	116										
	35			18	45	113									
	50				6	37	94								
	63					12	43	154							
	80						16	48	173						
	100							20	45						
	125							2	18	46					
	160									16	41				
	200										14	35	109		
	225										5	20	42		
	250											10	26	54	
	315												5	15	32
400														7	22
500															3

Number of internal cables/2 = number of terminals

\* not for armoured cables

\*\* Base: Terminal block Phoenix Contact, further see page 11 + 12

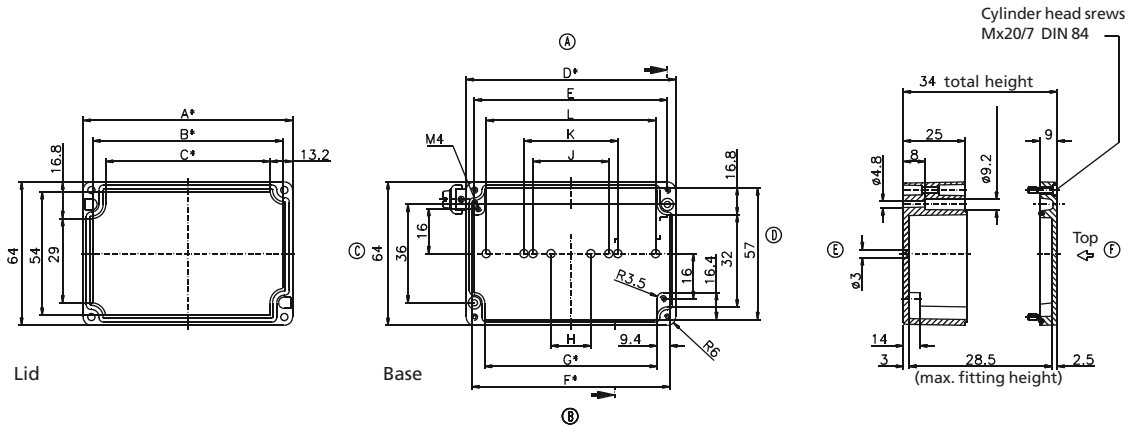
max. number of cable glands acc. to DIN 50262\*



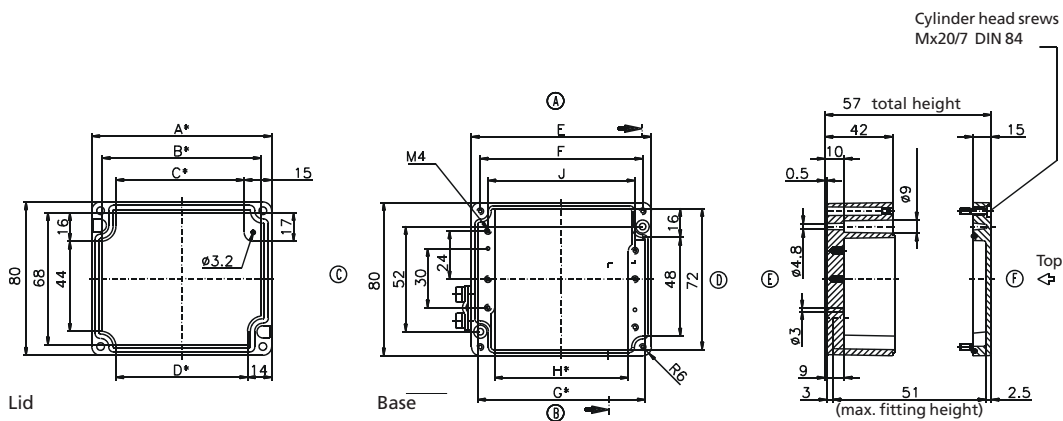
M	Cross-corner dim.	Side		PG	Cross-corner dim.	Side	
		A/B	C/D			A/B	C/D
12	17,25	270	270	7	17,25	270	270
16	25,30	140	140	9	21,85	184	184
20	27,60	108	108	11	25,30	134	134
25	37,95	56	56	13,5	27,60	108	108
32	48,30	32	32	16	31,05	84	84
40	60,95	22	22	21	37,95	56	56
50	69,00	16	16	29	48,30	32	32
63	74,75	12	12	36	60,95	18	18
				42	69,00	12	12
				48	74,75	12	12

## Dimensions

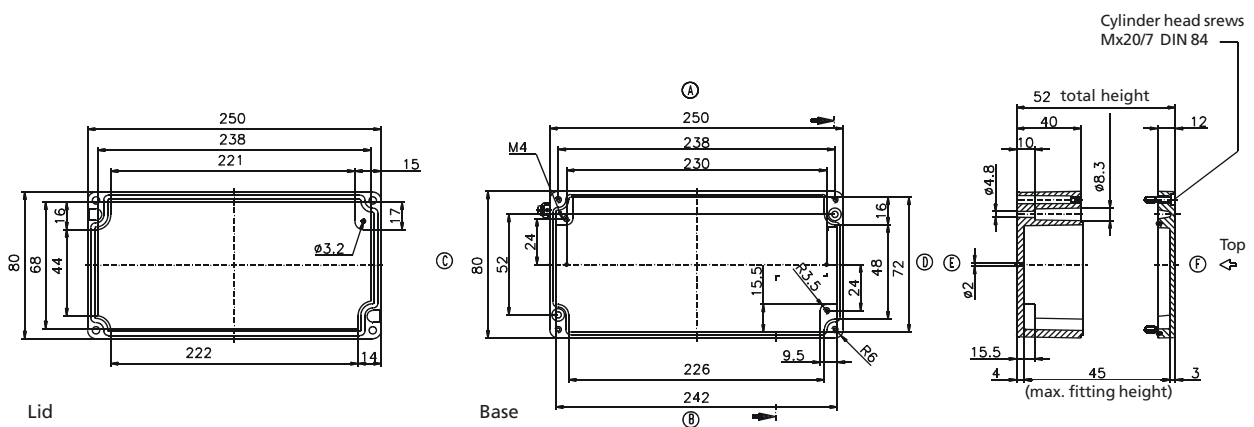
Type	A	B	C	D	E	F	G	H	J	K	L
<b>05/15/25.06 06 03</b>	58	48	31	58	46	51	34	18	26,5		
<b>05/15/25.06 10 03</b>	98	88	71	98	86	91	74	18	32	37,8	78
<b>05/15/25.06 15 03</b>	150	140	123	150	138	143	126	72,5	85,3	102,6	130



Type	A	B	C	D	E	F	G	H	J
<b>05/15/25.08 08 06</b>	75	63	46	47	75	63	67	47	56
<b>05/15/25.08 13 06</b>	125	113	96	97	125	113	117	97	106
<b>05/15/25.08 18 06</b>	175	163	146	147	175	163	167	147	156



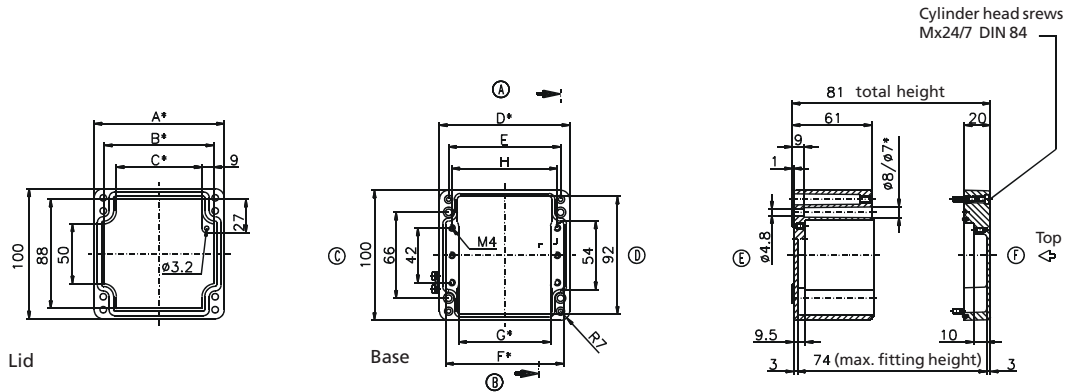
Type
<b>05/15/25.08 25 05</b>



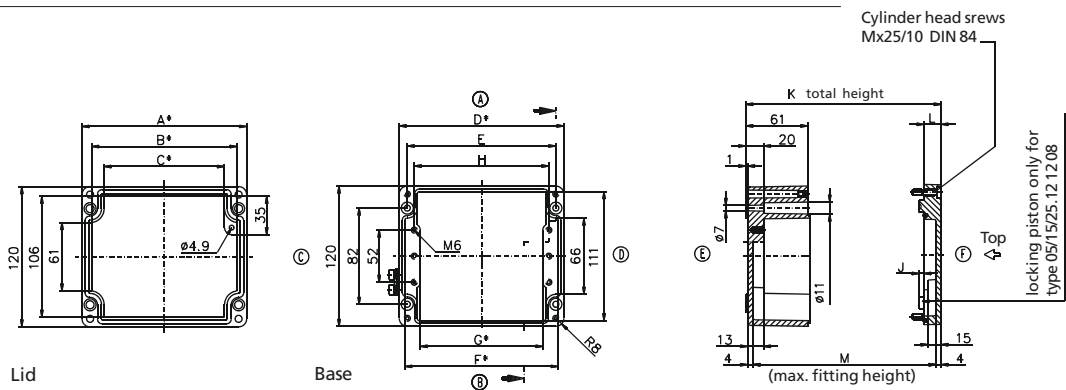
# Aluminium Ex

## Dimensions

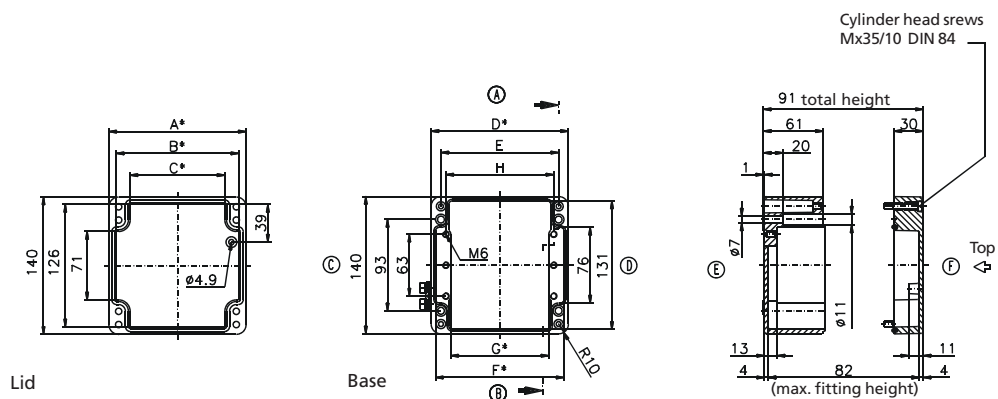
Type	A	B	C	D	E	F	G	H
<b>05/15/25.10 10 08</b>	100	88	70	100	86	92	71	80
<b>05/15/25.10 16 08</b>	160	148	130	160	146	152	131	140
<b>05/15/25.10 20 08</b>	200	188	170	200	186	192	171	180



Type	A	B	C	D	E	F	G	H	J	K	L	M
<b>05/15/25.12 12 08</b>	122	108	85	122	106	113	85	95	5,5	81	20	72
<b>05/15/25.12 12 09</b>	122	108	85	122	106	113	85	95		91	30	82
<b>05/15/25.12 22 08</b>	220	206	183	220	204	211	183	193		81	20	72
<b>05/15/25.12 22 09</b>	220	206	183	220	204	211	183	193		91	30	82
<b>05/15/25.12 36 08</b>	360	346	323	360	344	351	323	333		81	20	72

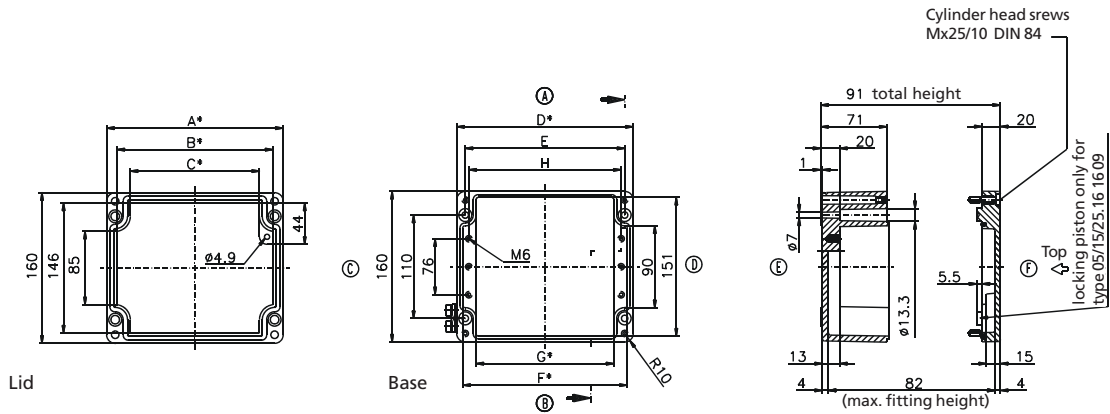


Type	A	B	C	D	E	F	G	H
<b>05/15/25.14 14 09</b>	140	126	98	140	120	131	100	110
<b>05/15/25.14 20 09</b>	200	186	158	200	180	191	160	170

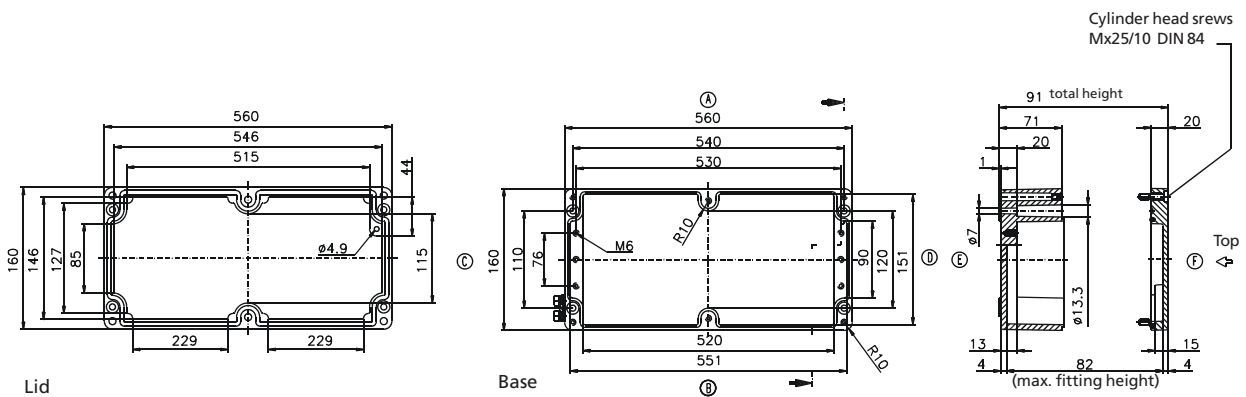


## Dimensions

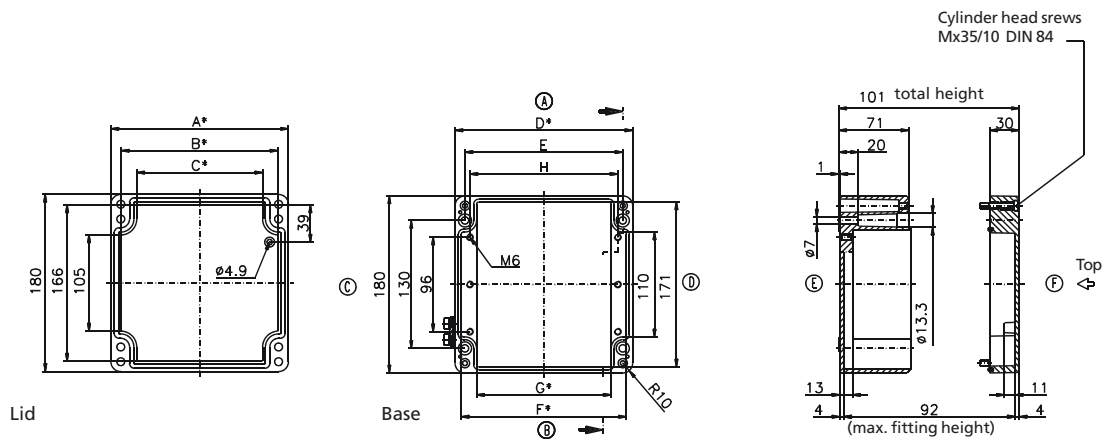
Type	A	B	C	D	E	F	G	H
<b>05/15/25.16 16 09</b>	160	146	115	160	140	151	120	130
<b>05/15/25.16 26 09</b>	260	246	215	260	240	251	220	230
<b>05/15/25.16 36 09</b>	360	346	315	360	340	351	320	330



Type
<b>05/15/25.16 56 09</b>



Type	A	B	C	D	E	F	G	H
<b>05/15/25.18 18 10</b>	180	166	135	180	160	171	140	150
<b>05/15/25.18 28 10</b>	280	266	235	280	260	271	240	250

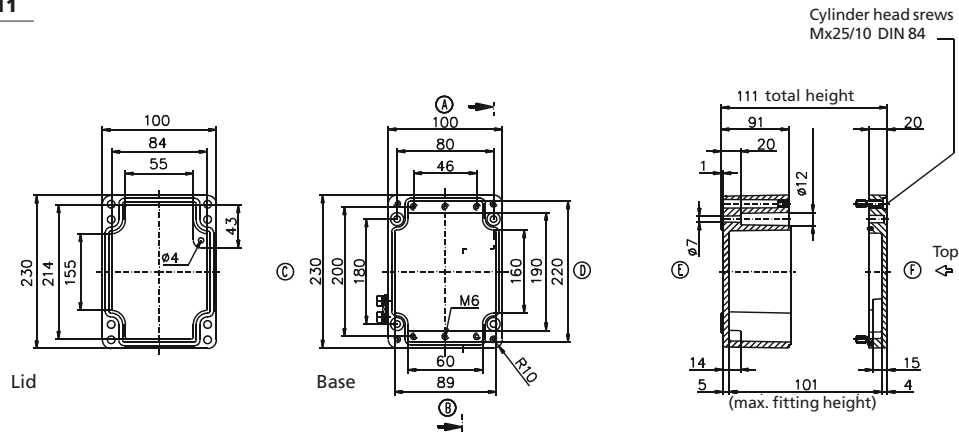


# Aluminium Ex

## Dimensions

Type

**05/15/25.23 10 11**

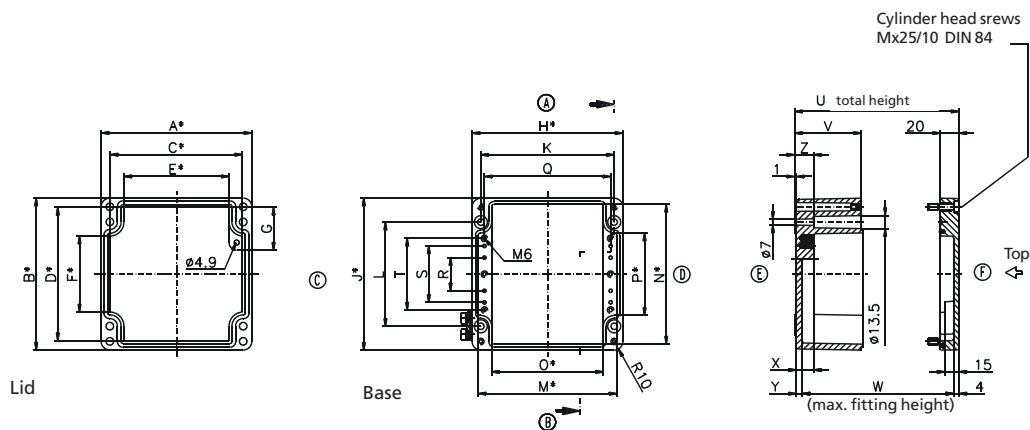


Type

Type	A	B	C	D	E	F	G	H	J	K	L	M
<b>05/15/25.23 20 11</b>	202	232	187	217	155	155	44	202	232	180	180	192
<b>05/15/25.23 20 18</b>	202	232	187	217	155	155	44	202	232	180	180	192
<b>05/15/25.23 28 11</b>	280	230	266	216	235	155	45	280	230	260	180	271
<b>05/15/25.23 33 11</b>	330	230	315	215	284	154	44	330	230	310	180	320
<b>05/15/25.23 33 18</b>	330	230	315	215	284	154	44	330	230	310	180	320
<b>05/15/25.23 40 11</b>	400	230	384	214	354	154	44	400	230	380	180	390
<b>05/15/25.23 40 23</b>	400	230	384	214	354	154	44	400	230	380	180	389

Type

Type	N	O	P	Q	R	S	T	U	V	W	X	Y	Z
<b>05/15/25.23 20 11</b>	222	160	160	170	80	120	144	111	91	102	13	4	20
<b>05/15/25.23 20 18</b>	222	160	160	170	80		144	180	160	170	14	5	19
<b>05/15/25.23 28 11</b>	221	240	160	250	80	120	144	111	91	102	13	4	20
<b>05/15/25.23 33 11</b>	220	289	159	300	80	120	144	111	91	102	13	4	20
<b>05/15/25.23 33 18</b>	220	289	159	300	80		144	181	161	170	15	6	20
<b>05/15/25.23 40 11</b>	220	360	160	370	80	120	144	111	91	102	13	4	20
<b>05/15/25.23 40 23</b>	219	359	159	370	80	120	144	225	205	214	14	5	20

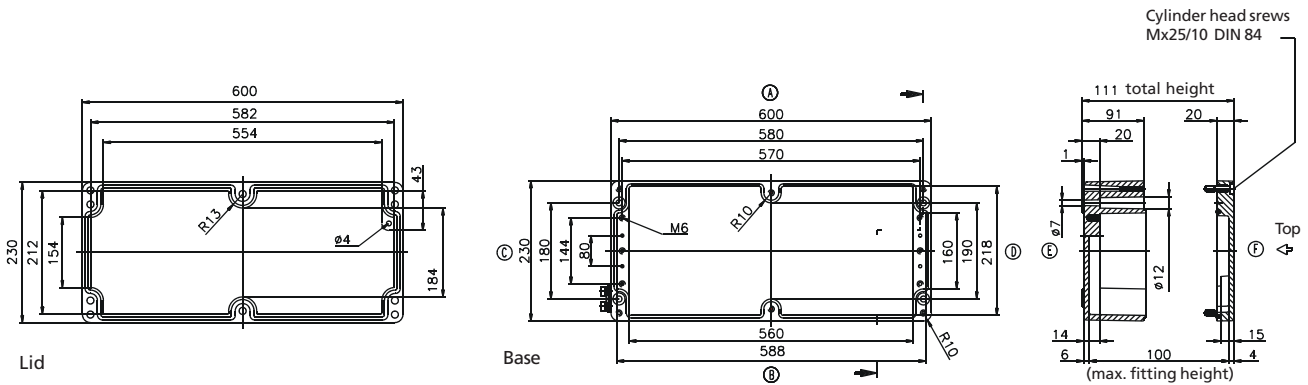




## Dimensions

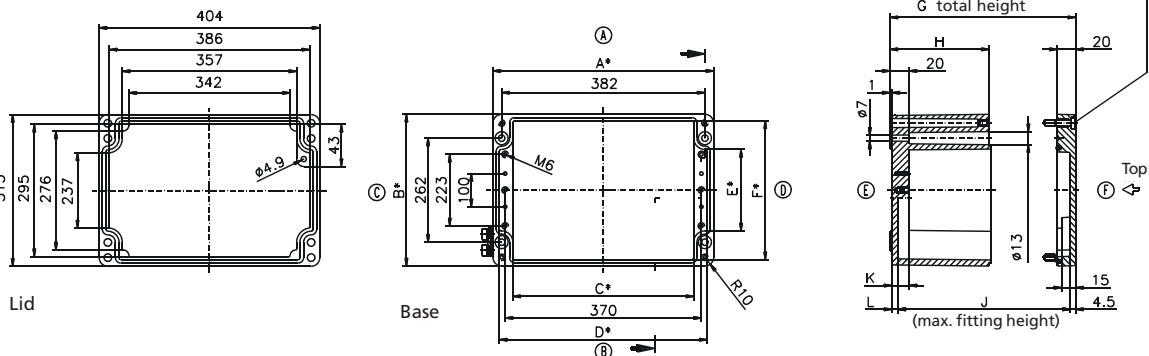
Type

**05/15/25.23 60 11**



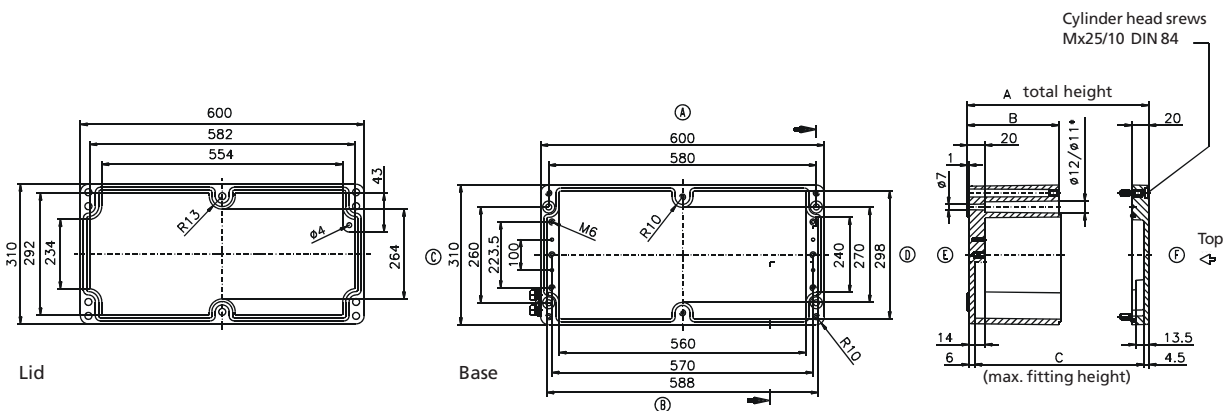
Type

Type	A	B	C	D	E	F	G	H	J	K	L
<b>05/15/25.31 40 11</b>	404	313	362	394	242	303	111	91	101	13	4
<b>05/15/25.31 40 14</b>	403	312	362	391	242	300	141	121	129	14	6
<b>05/15/25.31 40 18</b>	404	313	362	394	242	303	181	161	169	14	6
<b>05/15/25.31 40 23</b>	404	313	363	391	243	300	227	207	216	14	5



Type

Type	A	B	C
<b>05/15/25.31 60 11</b>	111	91	99
<b>05/15/25.31 60 18</b>	181	161	169



# Aluminium Ex

## Dimensions

Type  
**05/15/25.60 60 20**

